

DESCRIPTION:
**SNAPRACK, TDS, UNIVERSAL CONDUIT
 MOUNT, LEVELING**

DOC NUMBER:
 SNR-DC-01431

SnapNrack®

PART NUMBER(S):

242-10059

DRAWN BY:
 mwatkins

REV:

A

DATE:

10/2/2024

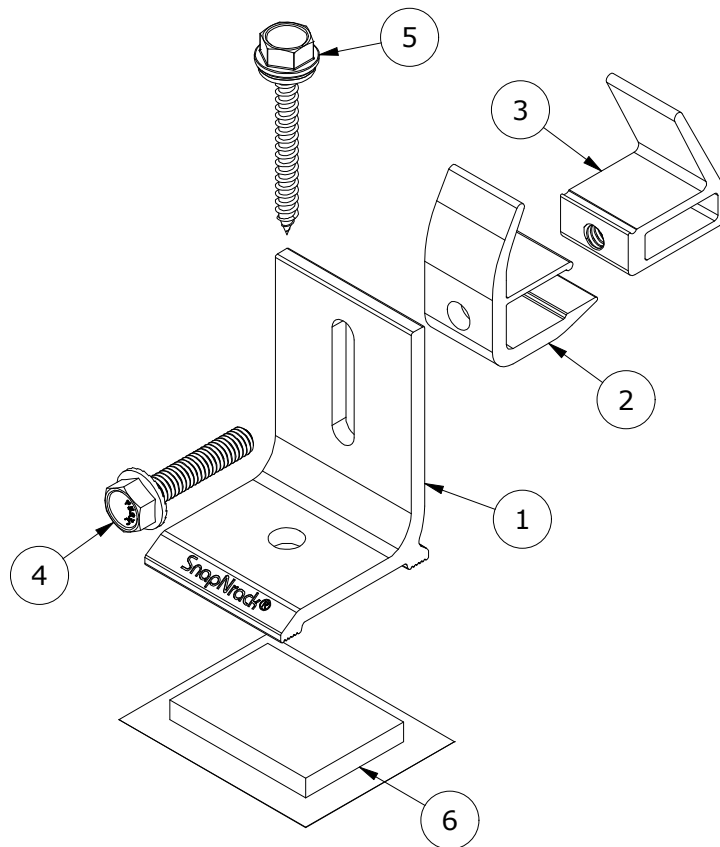
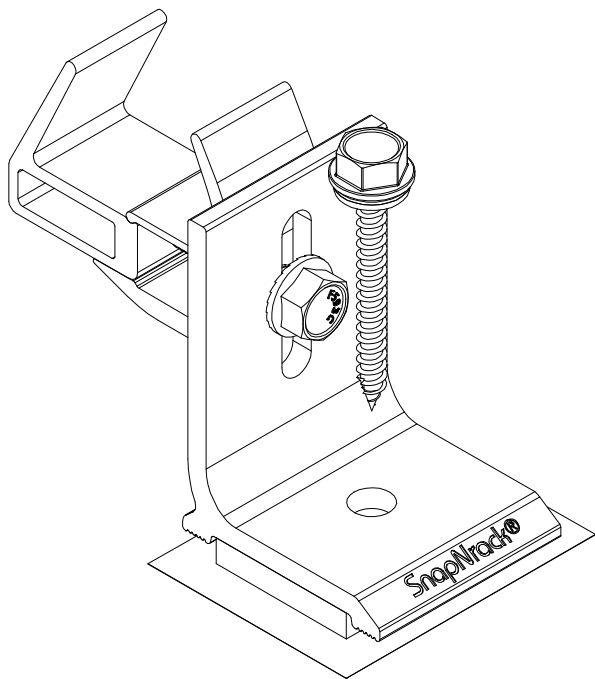
SNR SOLAR LLC

775 FIERO LANE, SUITE 200
 SAN LUIS OBISPO, CA 93401 USA
 EMAIL: CONTACT@SNAPNRACK.COM

THE INFORMATION IN THIS DRAWING IS CONFIDENTIAL AND PROPRIETARY. ANY
 REPRODUCTION, DISCLOSURE, OR USE THEREOF IS PROHIBITED WITHOUT THE
 WRITTEN CONSENT OF SNR SOLAR LLC.

UNITS: IN, LB, DEG [MM, KG, DEG]

SHEET: 1:2



COMPATIBLE WITH THE FOLLOWING
 CONDUIT TYPES AND SIZES:

- 3/4" EMT
- 1" EMT
- 3/4" PVC
- 1" PVC

PARTS LIST

ITEM	QTY	DESCRIPTION
1	1	SNAPNRACK, ULTRAFOOT BASE, RAFTER, BLACK
2	1	SNAPNRACK, UNIVERSAL CONDUIT CLAMP, THRU
3	1	SNAPNRACK, UNIVERSAL CONDUIT CLAMP, TAPPED
4	1	BOLT, FLANGE SERRATED, 5/16IN-18 X 1-1/2IN, SS
5	1	SNAPNRACK, SEALING WASHER WOOD SCREW, #14 X 2-1/4IN, 1/2IN HEX HEAD, SS
6	1	SNAPNRACK, BUTYL PAD, 2IN X 1.5IN X .25IN

MATERIALS:

6000 SERIES ALUMINUM, STAINLESS STEEL, BUTYL

DESIGN LOAD (LBS):

N/A

ULTIMATE LOAD (LBS):

N/A

TORQUE SPECIFICATION:

5 FT-LBS

CERTIFICATION:

UL 2239

WEIGHT (LBS):

0.42

DESCRIPTION:
**SNAPNRACK, TDS, UNIVERSAL CONDUIT
 MOUNT, LEVELING**

DOC NUMBER:
 SNR-DC-01431

SnapNrack®

PART NUMBER(S):

242-10059

DRAWN BY:

mwatkins

REV:

A

DATE:

10/2/2024

SNR SOLAR LLC

775 FIERO LANE, SUITE 200
 SAN LUIS OBISPO, CA 93401 USA
 EMAIL: CONTACT@SNAPNRACK.COM

THE INFORMATION IN THIS DRAWING IS CONFIDENTIAL AND PROPRIETARY. ANY
 REPRODUCTION, DISCLOSURE, OR USE THEREOF IS PROHIBITED WITHOUT THE
 WRITTEN CONSENT OF SNR SOLAR LLC.

UNITS: IN, LB, DEG [MM, KG, DEG]

SHEET: 2:2

