

DESCRIPTION:
**SNAPNRACK, TDS, UNIVERSAL CONDUIT
MOUNT, TILE**

DOC NUMBER:
SNR-DC-01433

SnapNrack®

PART NUMBER(S):

242-10052

DRAWN BY:

mwatkins

REV:

A

DATE:

10/2/2024

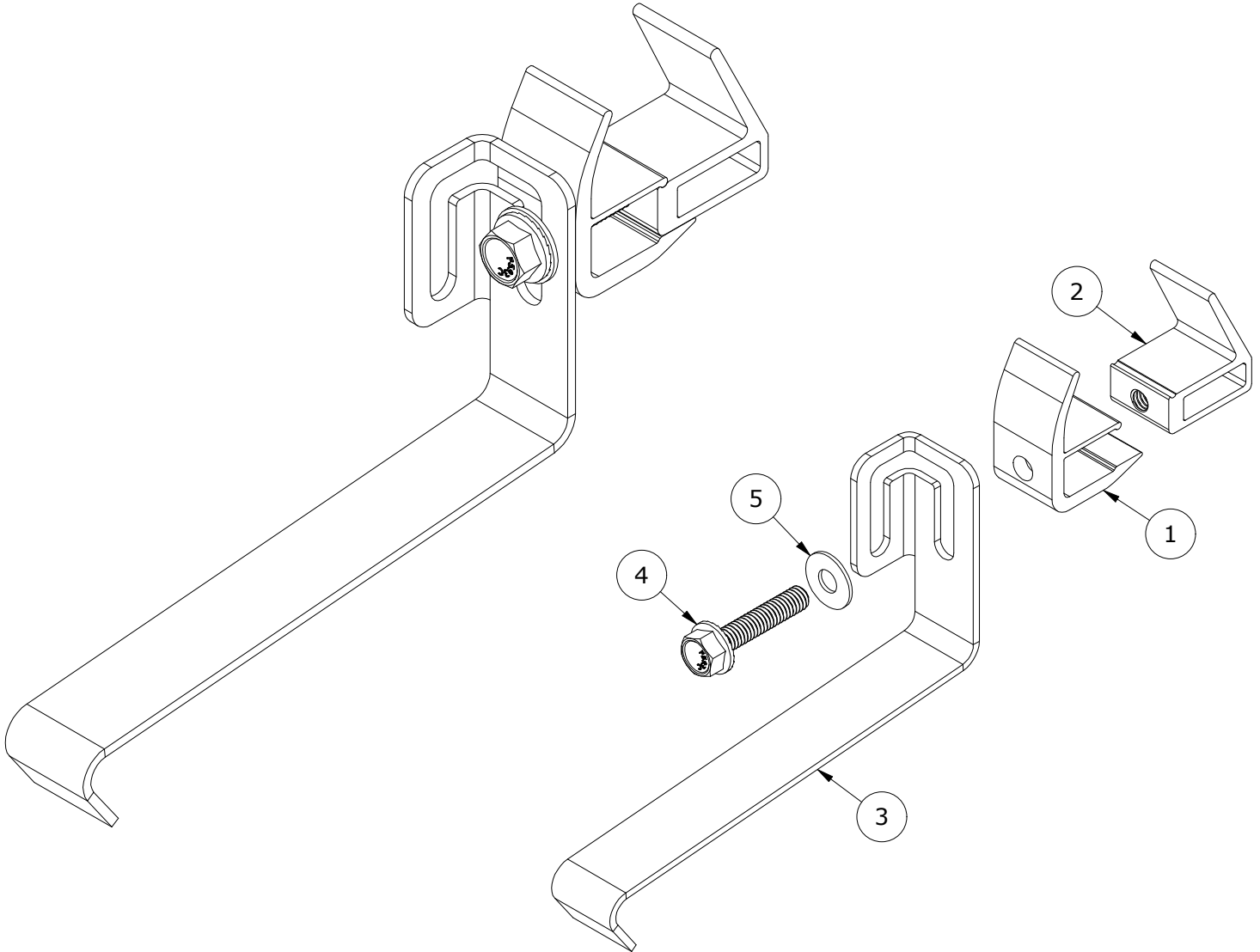
SNR SOLAR LLC

775 FIERO LANE, SUITE 200
SAN LUIS OBISPO, CA 93401 USA
EMAIL: CONTACT@SNAPNRACK.COM

THE INFORMATION IN THIS DRAWING IS CONFIDENTIAL AND PROPRIETARY. ANY
REPRODUCTION, DISCLOSURE, OR USE THEREOF IS PROHIBITED WITHOUT THE
WRITTEN CONSENT OF SNR SOLAR LLC.

UNITS: IN, LB, DEG [MM, KG, DEG]

SHEET: 1:2



PARTS LIST

ITEM	QTY	DESCRIPTION
1	1	SNAPNRACK, UNIVERSAL CONDUIT CLAMP, THRU
2	1	SNAPNRACK, UNIVERSAL CONDUIT CLAMP, TAPPED
3	1	SNAPNRACK, TILE HOOK FOR UNIVERSAL CONDUIT CLAMP
4	1	BOLT, FLANGE SERRATED, 5/16IN-18 X 1-1/2IN, SS
5	1	5/16IN X 3/4IN SS FLAT WASHER

**COMPATIBLE WITH THE FOLLOWING
CONDUIT TYPES AND SIZES:**

- 3/4" EMT
- 1" EMT
- 3/4" PVC
- 1" PVC

MATERIALS:

5000 AND 6000 SERIES ALUMINUM, STAINLESS STEEL

DESIGN LOAD (LBS):

N/A

ULTIMATE LOAD (LBS):

N/A

TORQUE SPECIFICATION:

5 FT-LBS

CERTIFICATION:

UL 2239

WEIGHT (LBS):

0.28

DESCRIPTION:
SNAPNRACK, TDS, UNIVERSAL CONDUIT
MOUNT, TILE

DOC NUMBER:
SNR-DC-01433

SnapNrack®

PART NUMBER(S):

242-10052

DRAWN BY:
mwatkins

REV:

A

DATE:

10/2/2024

SNR SOLAR LLC

775 FIERO LANE, SUITE 200
SAN LUIS OBISPO, CA 93401 USA
EMAIL: CONTACT@SNAPNRACK.COM

THE INFORMATION IN THIS DRAWING IS CONFIDENTIAL AND PROPRIETARY. ANY
REPRODUCTION, DISCLOSURE, OR USE THEREOF IS PROHIBITED WITHOUT THE
WRITTEN CONSENT OF SNR SOLAR LLC.

UNITS: IN, LB, DEG [MM, KG, DEG]

SHEET: 2:2

