

DESCRIPTION:
**SNAPRACK, TDS, UNIVERSAL CONDUIT
 MOUNT, SIMPLE**

DOC NUMBER:
 SNR-DC-01434

SnapNrack®

PART NUMBER(S):

242-10054

DRAWN BY:
 mwatkins

REV:

B

DATE:

1/7/2025

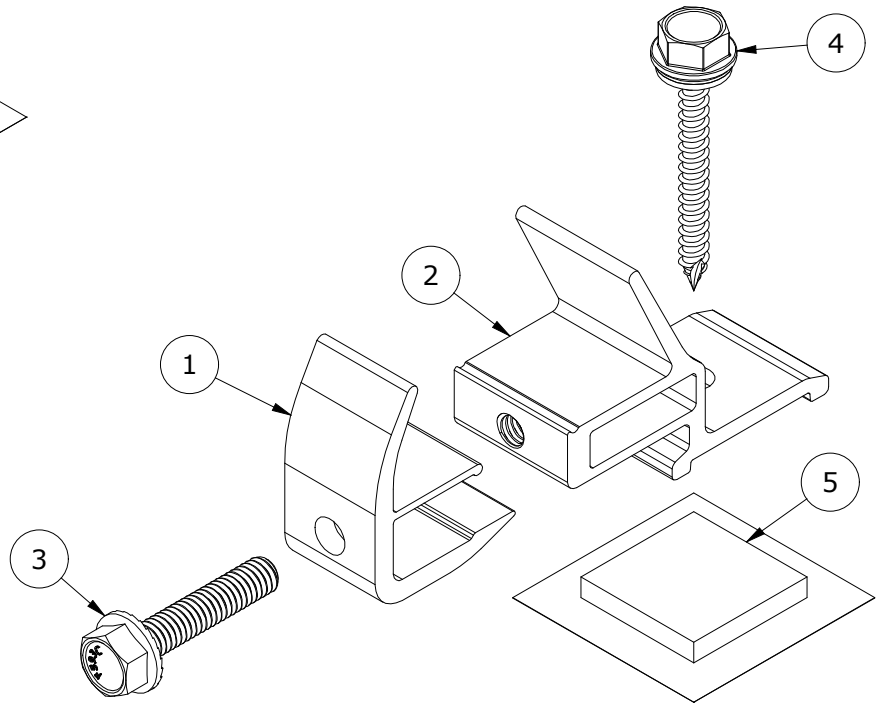
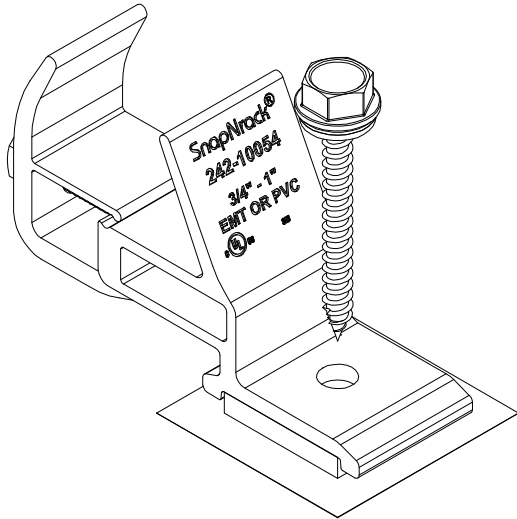
SNR SOLAR LLC

775 FIERO LANE, SUITE 200
 SAN LUIS OBISPO, CA 93401 USA
 EMAIL: CONTACT@SNAPNRACK.COM

THE INFORMATION IN THIS DRAWING IS CONFIDENTIAL AND PROPRIETARY. ANY
 REPRODUCTION, DISCLOSURE, OR USE THEREOF IS PROHIBITED WITHOUT THE
 WRITTEN CONSENT OF SNR SOLAR LLC.

UNITS: IN, LB, DEG [MM, KG, DEG]

SHEET: 1:2



COMPATIBLE WITH THE FOLLOWING
 CONDUIT TYPES AND SIZES:

- 3/4" EMT
- 1" EMT
- 3/4" PVC
- 1" PVC

SUITABLE FOR WET LOCATIONS

PARTS LIST

ITEM	QTY	DESCRIPTION
1	1	SNAPNRACK, UNIVERSAL CONDUIT CLAMP, THRU
2	1	SNAPNRACK, UNIVERSAL CONDUIT CLAMP, FLANGED, TAPPED
3	1	BOLT, FLANGE SERRATED, 5/16IN-18 X 1-1/2IN, SS
4	1	SNAPNRACK, SEALING WASHER WOOD SCREW, #14 X 2-1/4IN, 1/2IN HEX HEAD, SS
5	1	SNAPNRACK, BUTYL, 1.25IN X 1.25IN, 0.200IN THICK

MATERIALS: 6000 SERIES ALUMINUM, STAINLESS STEEL, BUTYL

DESIGN LOAD (LBS): 50

ULTIMATE LOAD (LBS): N/A

TORQUE SPECIFICATION: 5 FT-LBS

CERTIFICATION: UL 2239, FILE E543241

WEIGHT (LBS): 0.28

DESCRIPTION:
**SNAPNRACK, TDS, UNIVERSAL CONDUIT
 MOUNT, SIMPLE**

DOC NUMBER:
 SNR-DC-01434

SnapNrack®

PART NUMBER(S):

242-10054

DRAWN BY:
 mwatkins

REV: **B** DATE:
 1/7/2025

SNR SOLAR LLC

775 FIERO LANE, SUITE 200
 SAN LUIS OBISPO, CA 93401 USA
 EMAIL: CONTACT@SNAPNRACK.COM

THE INFORMATION IN THIS DRAWING IS CONFIDENTIAL AND PROPRIETARY. ANY
 REPRODUCTION, DISCLOSURE, OR USE THEREOF IS PROHIBITED WITHOUT THE
 WRITTEN CONSENT OF SNR SOLAR LLC.

UNITS: IN, LB, DEG [MM, KG, DEG]

SHEET: 2:2

