

DESCRIPTION:
SNAPNRACK, TDS, GROUND RAIL (USA)

DOC NUMBER:
SNR-DC-01329

SnapNrack®

PART NUMBER(S):
232-10095-USA, 232-10096-USA

DRAWN BY:
M.WATKINS

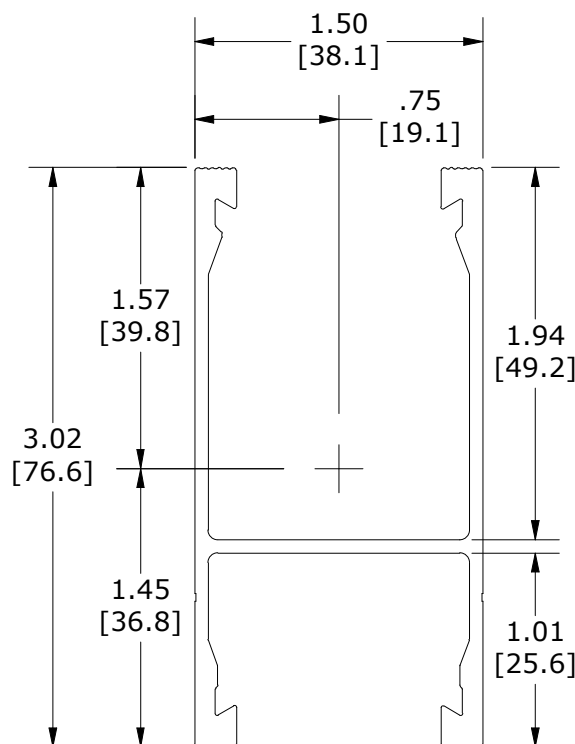
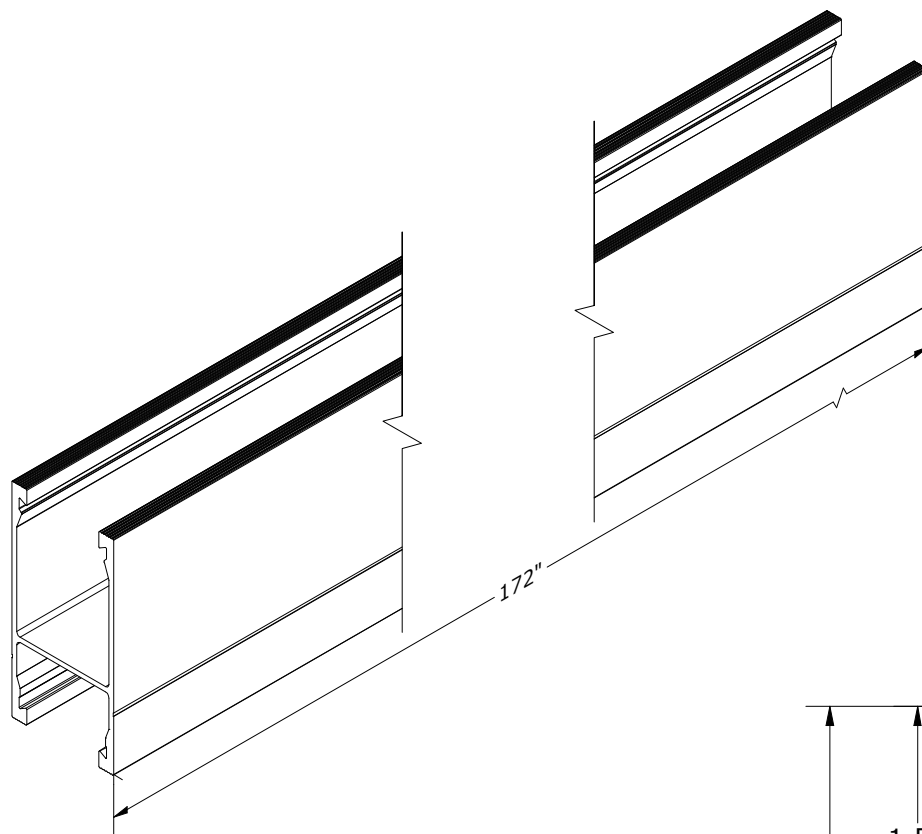
SNR SOLAR LLC

775 FIERO LANE, SUITE 200
SAN LUIS OBISPO, CA 93401 USA
EMAIL: CONTACT@SNAPNRACK.COM

UNITS: IN, LB, DEG [MM, KG, DEG] SHEET: 1:1

REV: DATE:
E 11/12/2024

THE INFORMATION IN THIS DRAWING IS CONFIDENTIAL AND PROPRIETARY. ANY REPRODUCTION, DISCLOSURE, OR USE THEREOF IS PROHIBITED WITHOUT THE WRITTEN CONSENT OF SNR SOLAR LLC.



SECTION PROPERTIES	
A	0.684 in ²
I _{xx}	0.631 in ⁴
I _{yy}	0.296 in ⁴
S _x (TOP)	0.401 in ³
S _x (BOT)	0.435 in ³
S _y (LEFT)	0.394 in ³
S _y (RIGHT)	0.394 in ³

MATERIALS: 6000 SERIES ALUMINUM

DESIGN LOAD (LBS): N/A

ULTIMATE LOAD (LBS): N/A

TORQUE SPECIFICATION: N/A FT-LBS

CERTIFICATION: UL 2703, FILE E359313, DOMESTIC CONTENT COMPLIANT

WEIGHT (LBS): 11.52