

DESCRIPTION:
SNAPNRACK, TDS, UNIVERSAL SKIRTRAIL

DOC NUMBER:
 SNR-DC-01374



PART NUMBER(S):
 242-02492, 242-02493

DRAWN BY:
 M.AFFENTRANGER

REV: **D** DATE:
 11/22/2024

SNR SOLAR LLC

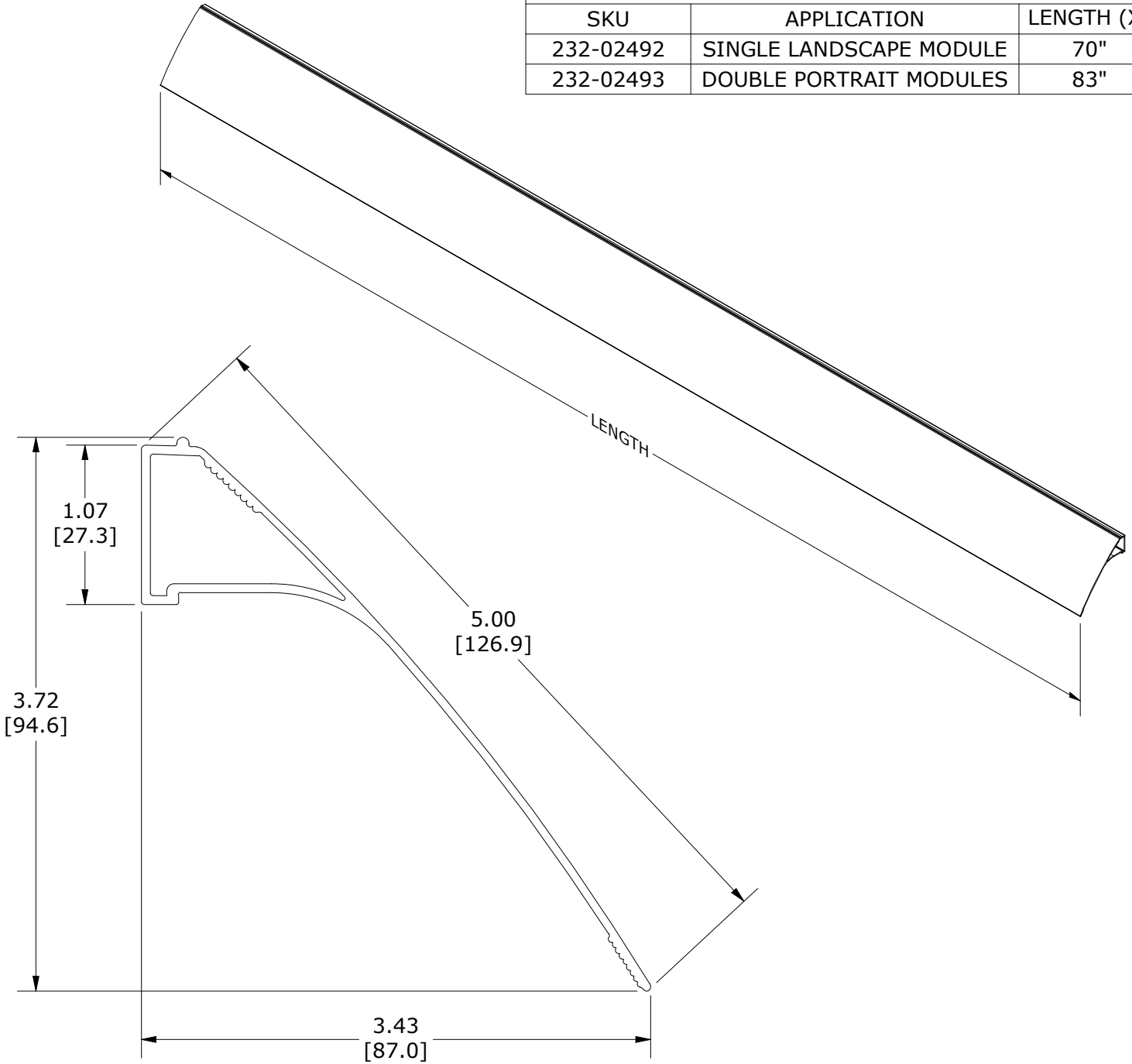
775 FIERO LANE, SUITE 200
 SAN LUIS OBISPO, CA 93401 USA
 EMAIL: CONTACT@SNAPNRACK.COM

THE INFORMATION IN THIS DRAWING IS CONFIDENTIAL AND PROPRIETARY. ANY REPRODUCTION, DISCLOSURE, OR USE THEREOF IS PROHIBITED WITHOUT THE WRITTEN CONSENT OF SUNRUN SOUTH LLC.

UNITS: IN, LB, DEG [MM, KG, DEG] SHEET: 1:1

RL UNIVERSAL ARRAY SKIRT PROPERTIES

SKU	APPLICATION	LENGTH (X)
232-02492	SINGLE LANDSCAPE MODULE	70"
232-02493	DOUBLE PORTRAIT MODULES	83"



MATERIALS: 6000 SERIES ALUMINUM

DESIGN LOAD (LBS): N/A

ULTIMATE LOAD (LBS): N/A

TORQUE SPECIFICATION: N/A FT-LBS

CERTIFICATION: UL 2703, FILE E359313

WEIGHT (LBS): 3.94 - 4.74