

DESCRIPTION:  
**SNAPNRACK, TDS, UNIVERSAL LINK**

DOC NUMBER:  
 SNR-DC-01379

**SnapNrack®**

PART NUMBER(S):  
 242-02156

DRAWN BY:  
 B.PETERSON

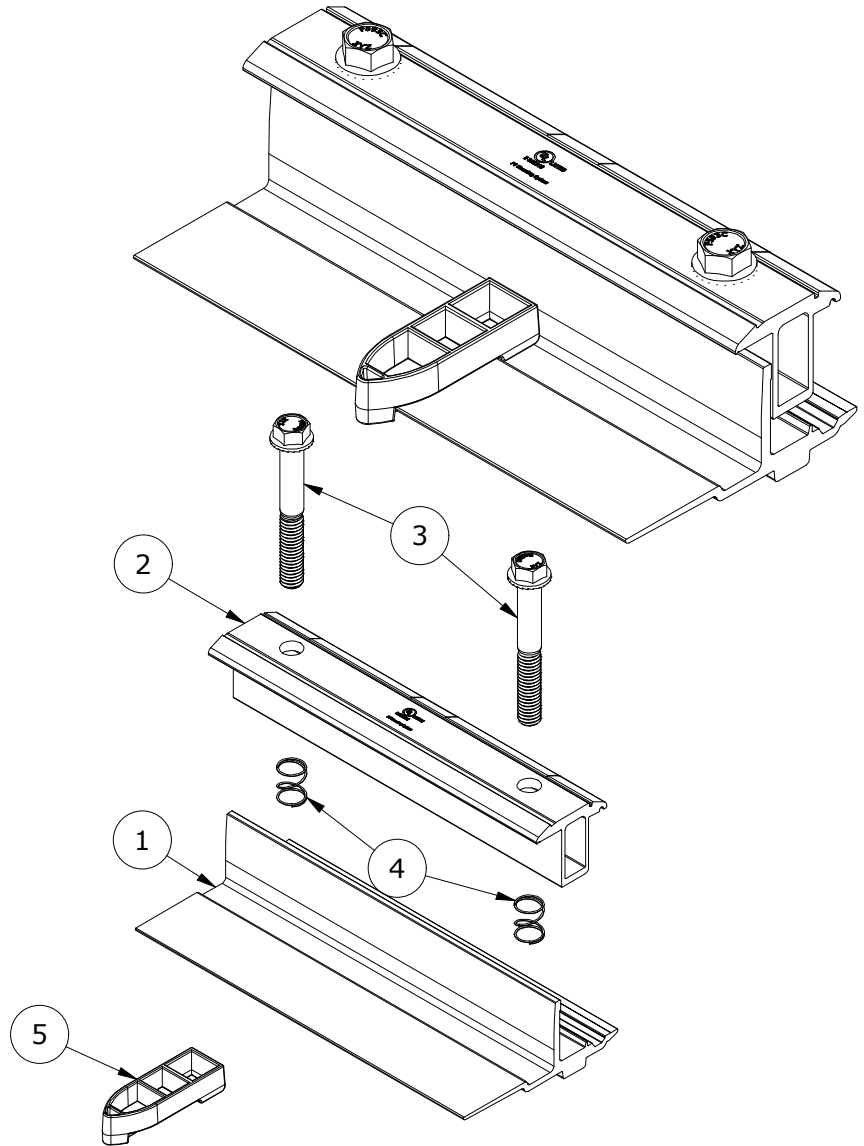
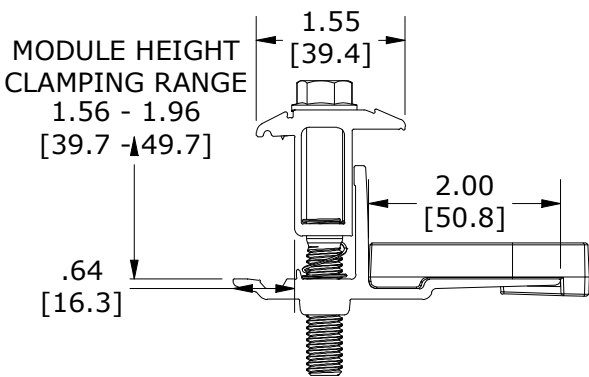
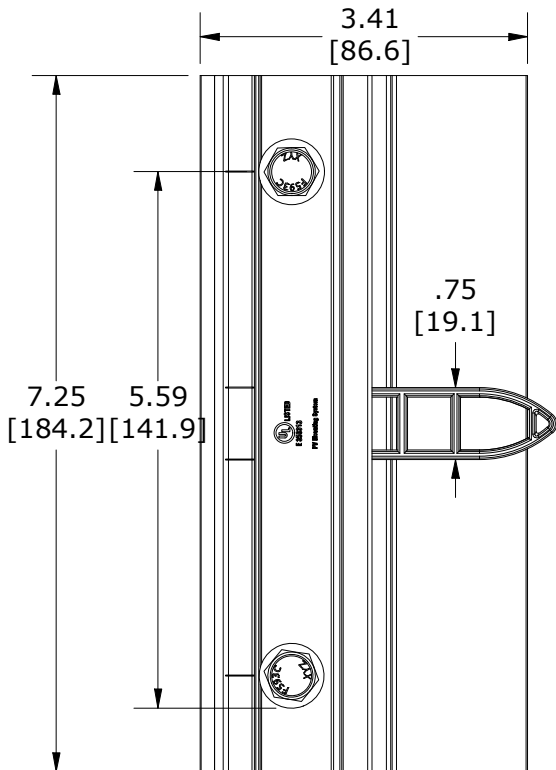
SNR SOLAR LLC

REV: **C**      DATE:  
 11/22/2024

775 FIERO LANE, SUITE 200  
 SAN LUIS OBISPO, CA 93401 USA  
 EMAIL: CONTACT@SNAPNRACK.COM

THE INFORMATION IN THIS DRAWING IS CONFIDENTIAL AND PROPRIETARY. ANY REPRODUCTION, DISCLOSURE, OR USE THEREOF IS PROHIBITED WITHOUT THE WRITTEN CONSENT OF SUNRUN SOUTH LLC.

UNITS: IN, LB, DEG [MM, KG, DEG]      SHEET: 1:1



**PARTS LIST**

ITEM	QTY	DESCRIPTION
1	1	SNAPNRACK, UNIVERSAL LINK BOTTOM, MILL
2	1	SNAPNRACK, UNIVERSAL LINK TOP, BONDING, BLACK
3	2	BOLT, FLANGE, SERRATED, 3/8IN-16 X 2-3/4IN, 1/2IN TRIM HEAD, 1.2IN THREAD, BLACK, SS
4	2	SNAPNRACK, TOPSPEED UNIVERSAL, MOUNT SPRING, SS
5	1	SNAPNRACK, UNIVERSAL LINK, COLUMN SPACER

MATERIALS: 6000 SERIES ALUMINUM, STAINLESS STEEL, POLYCARBONATE

DESIGN LOAD (LBS): N/A

ULTIMATE LOAD (LBS): N/A

TORQUE SPECIFICATION: 12 FT-LBS

CERTIFICATION: UL 2703, FILE E359313

WEIGHT (LBS): 1.03