

DESCRIPTION:  
SNAPNRACK, TDS, UR-40 & UR-45 SPLICE

DOC NUMBER:  
SNR-DC-01382

SnapNrack®

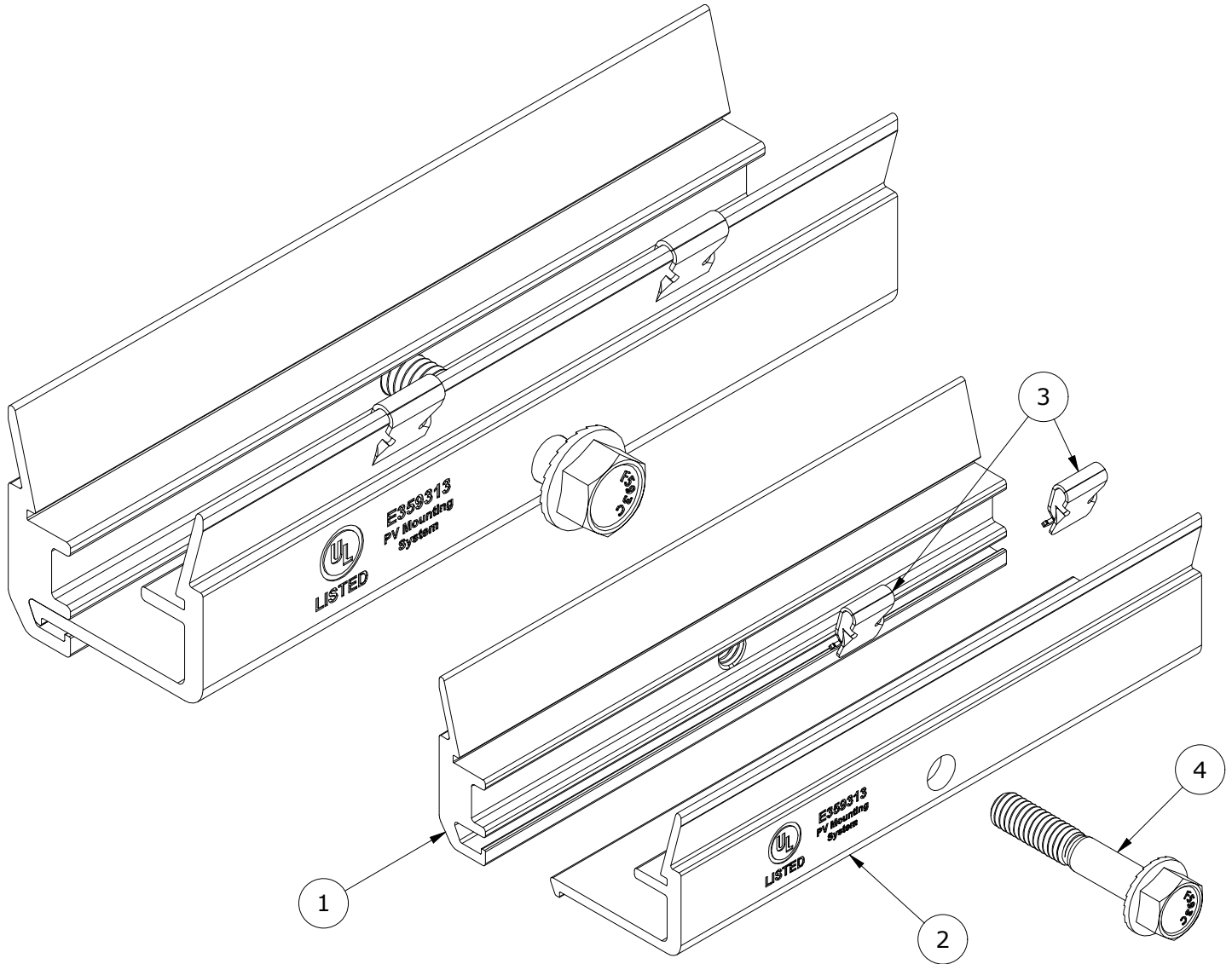
PART NUMBER(S):  
242-01213, 242-01214

DRAWN BY:  
M.AFFENTRANGER

REV: **D**      DATE:  
11/22/2024

SNR SOLAR LLC  
775 FIERO LANE, SUITE 200  
SAN LUIS OBISPO, CA 93401 USA  
EMAIL: CONTACT@SNAPNRACK.COM  
THE INFORMATION IN THIS DRAWING IS CONFIDENTIAL AND PROPRIETARY. ANY REPRODUCTION, DISCLOSURE, OR USE THEREOF IS PROHIBITED WITHOUT THE WRITTEN CONSENT OF SUNRUN SOUTH LLC.

UNITS: IN, LB, DEG [MM, KG, DEG]      SHEET: 1:2



PARTS LIST

ITEM	QTY	DESCRIPTION
1	1	SNAPNRACK, UR-40 SPLICE TAPPED PRC, CLEAR / BLACK
2	1	SNAPNRACK, UR-40 SPLICE THRU PRC, CLEAR / BLACK
3	2	SNAPNRACK, SNAPLINK BONDING CLIP, TYPE 2, STEEL
4	1	BOLT, FLANGE, SERRATED, 5/16IN-18 X 1-3/4IN, SS

MATERIALS: 6000 SERIES ALUMINUM, STAINLESS STEEL

DESIGN LOAD (LBS): N/A

ULTIMATE LOAD (LBS): N/A

TORQUE SPECIFICATION: 12 FT-LBS

CERTIFICATION: UL 2703, FILE E359313

WEIGHT (LBS): 0.52