

DESCRIPTION:
**SNAPNRACK, TDS, TOPSPEED UNIVERSAL,
 SPEEDSEAL TRACK (USA)**

DOC NUMBER:
 SNR-DC-01440

SnapNrack®

PART NUMBER(S):

232-01464-USA

DRAWN BY:
 M.WATKINS

REV:

DATE:

A

11/18/2024

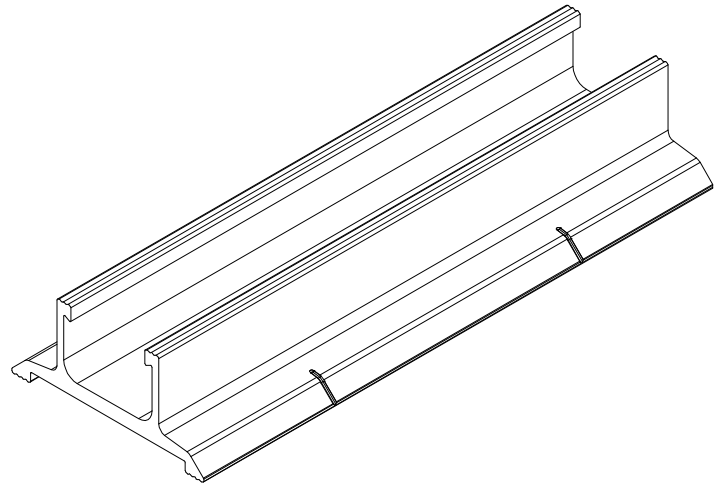
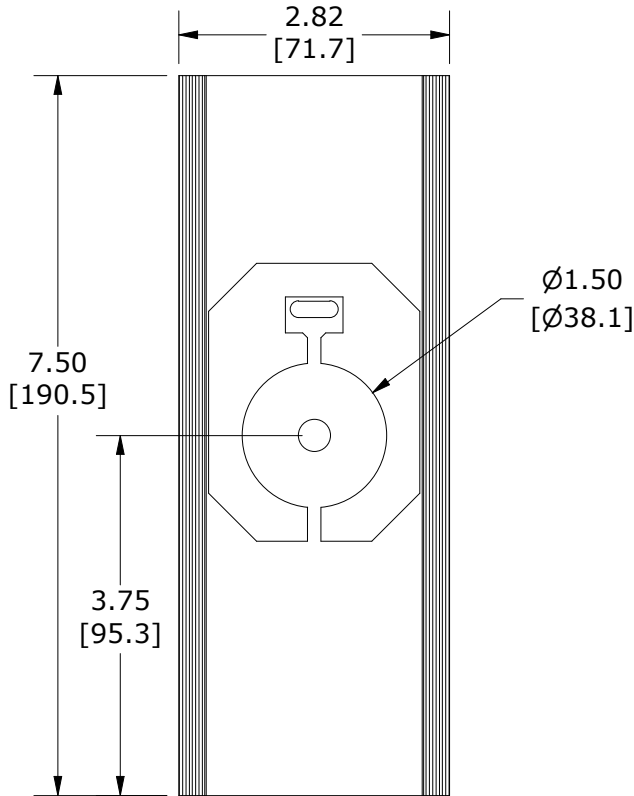
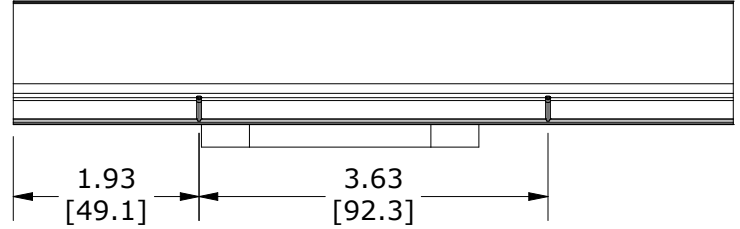
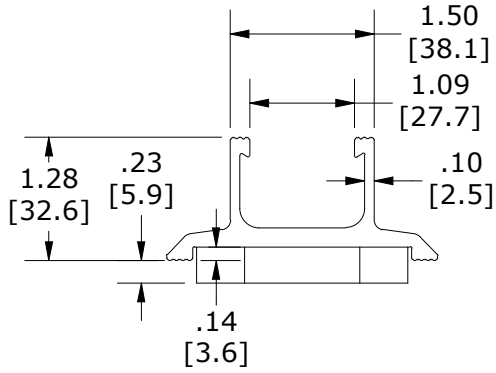
SNR SOLAR LLC

775 FIERO LANE, SUITE 200
 SAN LUIS OBISPO, CA 93401 USA
 EMAIL: CONTACT@SNAPNRACK.COM

THE INFORMATION IN THIS DRAWING IS CONFIDENTIAL AND PROPRIETARY. ANY REPRODUCTION, DISCLOSURE, OR USE THEREOF IS PROHIBITED WITHOUT THE WRITTEN CONSENT OF SNR SOLAR LLC.

UNITS: IN, LB, DEG [MM, KG, DEG]

SHEET: 1:1



MATERIALS:

6000 SERIES ALUMINUM, FOAM RUBBER

DESIGN LOAD (LBS):

623 UP, 674 DOWN, 505 SIDE

ULTIMATE LOAD (LBS):

N/A

TORQUE SPECIFICATION:

N/A FT-LBS

CERTIFICATION:

UL2703, FILE E359313; DOMESTIC CONTENT COMPLIANT

WEIGHT (LBS):

0.565