

DESCRIPTION:
**SNAPNRACK, TDS, ULTRA RAIL ADJUSTABLE
 TILE HOOK (USA)**

DOC NUMBER:
 SNR-DC-01443

SnapNrack®

PART NUMBER(S):

242-02729-USA

DRAWN BY:
 M.AFFENTRANGER

REV: DATE:

A

11/22/2024

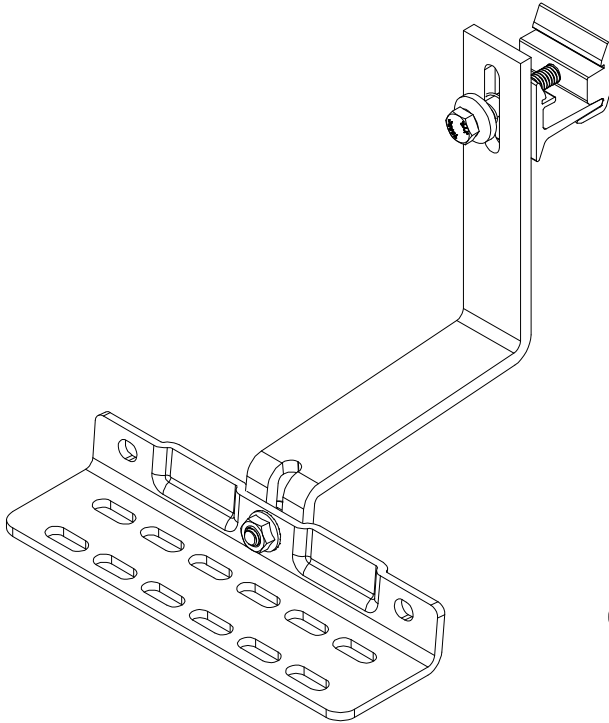
SNR SOLAR LLC

775 FIERO LANE, SUITE 200
 SAN LUIS OBISPO, CA 93401 USA
 EMAIL: CONTACT@SNAPNRACK.COM

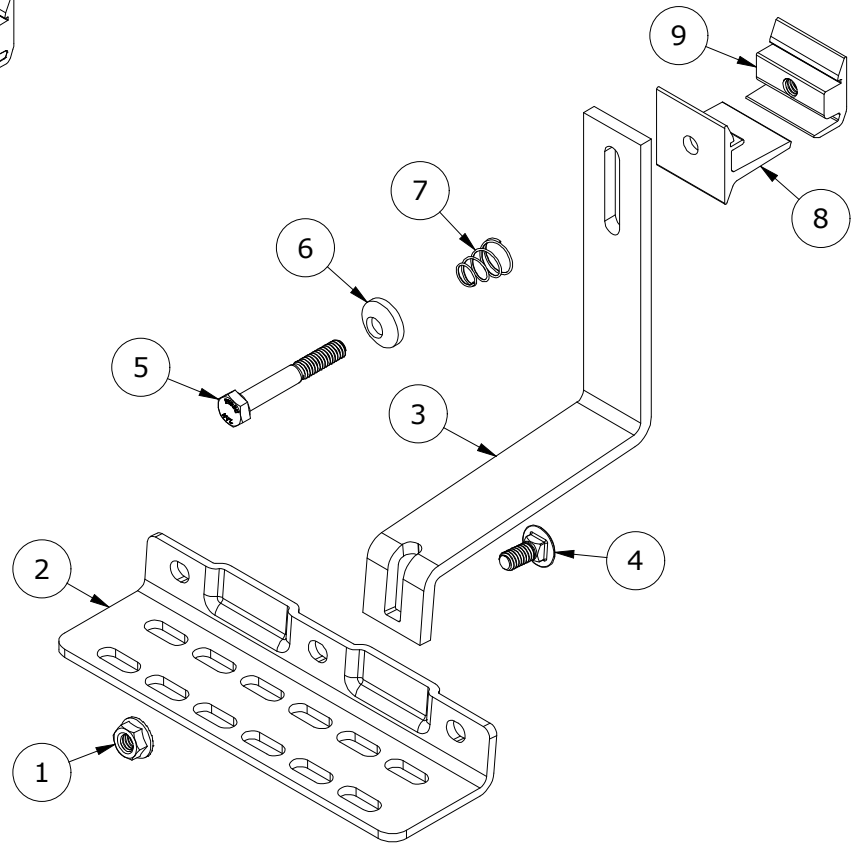
THE INFORMATION IN THIS DRAWING IS CONFIDENTIAL AND PROPRIETARY. ANY REPRODUCTION, DISCLOSURE, OR USE THEREOF IS PROHIBITED WITHOUT THE WRITTEN CONSENT OF SNR SOLAR LLC.

UNITS: IN, LB, DEG [MM, KG, DEG]

SHEET: 1:2



ISO



EXPLODED

PARTS LIST

ITEM	QTY	DESCRIPTION
1	1	NUT, FLANGE, SERRATED, 5/16IN-18, SS
2	1	SNAPNRACK, ULTRA RAIL, TILE HOOK BASE, ADJUSTABLE
3	1	SNAPNRACK, ULTRA RAIL, TILE HOOK ARM, ADJUSTABLE
4	1	BOLT, CARRIAGE, 5/16IN-18 X 3/4IN, SS
5	1	5/16IN-18 X 2-1/4IN SS HCS BOLT
6	1	SNAPNRACK, ULTRA RAIL MOUNT SPRING CAGE
7	1	SNAPNRACK, ULTRA RAIL MOUNT SPRING, SS
8	1	SNAPNRACK, ULTRA RAIL MOUNT THRU PRC, CLEAR
9	1	SNAPNRACK, ULTRA RAIL MOUNT TAPPED PRC, CLEAR

MATERIALS:

6000 SERIES ALUMINUM, STAINLESS STEEL

DESIGN LOAD (LBS):

VARIES BY APPLICATION, REFER TO SNAPNRACK ENGINEERING

ULTIMATE LOAD (LBS):

VARIES BY APPLICATION, REFER TO SNAPNRACK ENGINEERING

TORQUE SPECIFICATION:

12 FT-LBS

CERTIFICATION:

UL 2703, FILE E359313; DOMESTIC CONTENT COMPLIANT

WEIGHT (LBS):

2.08

DESCRIPTION:
**SNAPNRACK, TDS, ULTRA RAIL ADJUSTABLE
 TILE HOOK (USA)**

DOC NUMBER:
 SNR-DC-01443

SnapNrack®

PART NUMBER(S):

242-02729-USA

DRAWN BY:
 M.AFFENTRANGER

REV: DATE:

A

11/22/2024

SNR SOLAR LLC

775 FIERO LANE, SUITE 200
 SAN LUIS OBISPO, CA 93401 USA
 EMAIL: CONTACT@SNAPNRACK.COM

THE INFORMATION IN THIS DRAWING IS CONFIDENTIAL AND PROPRIETARY. ANY
 REPRODUCTION, DISCLOSURE, OR USE THEREOF IS PROHIBITED WITHOUT THE
 WRITTEN CONSENT OF SNR SOLAR LLC.

UNITS: IN, LB, DEG [MM, KG, DEG]

SHEET: 2:2

