

DESCRIPTION:  
**SNAPNRACK, TDS, ULTRA RAIL SIMPLE TILT  
 (USA)**

DOC NUMBER:  
 SNR-DC-01445

**SnapNrack®**

PART NUMBER(S):  
 242-10060-USA, 242-10061-USA, 242-10062-USA

DRAWN BY:  
 M.AFFENTRANGER

SNR SOLAR LLC

775 FIERO LANE, SUITE 200  
 SAN LUIS OBISPO, CA 93401 USA  
 EMAIL: CONTACT@SNAPNRACK.COM

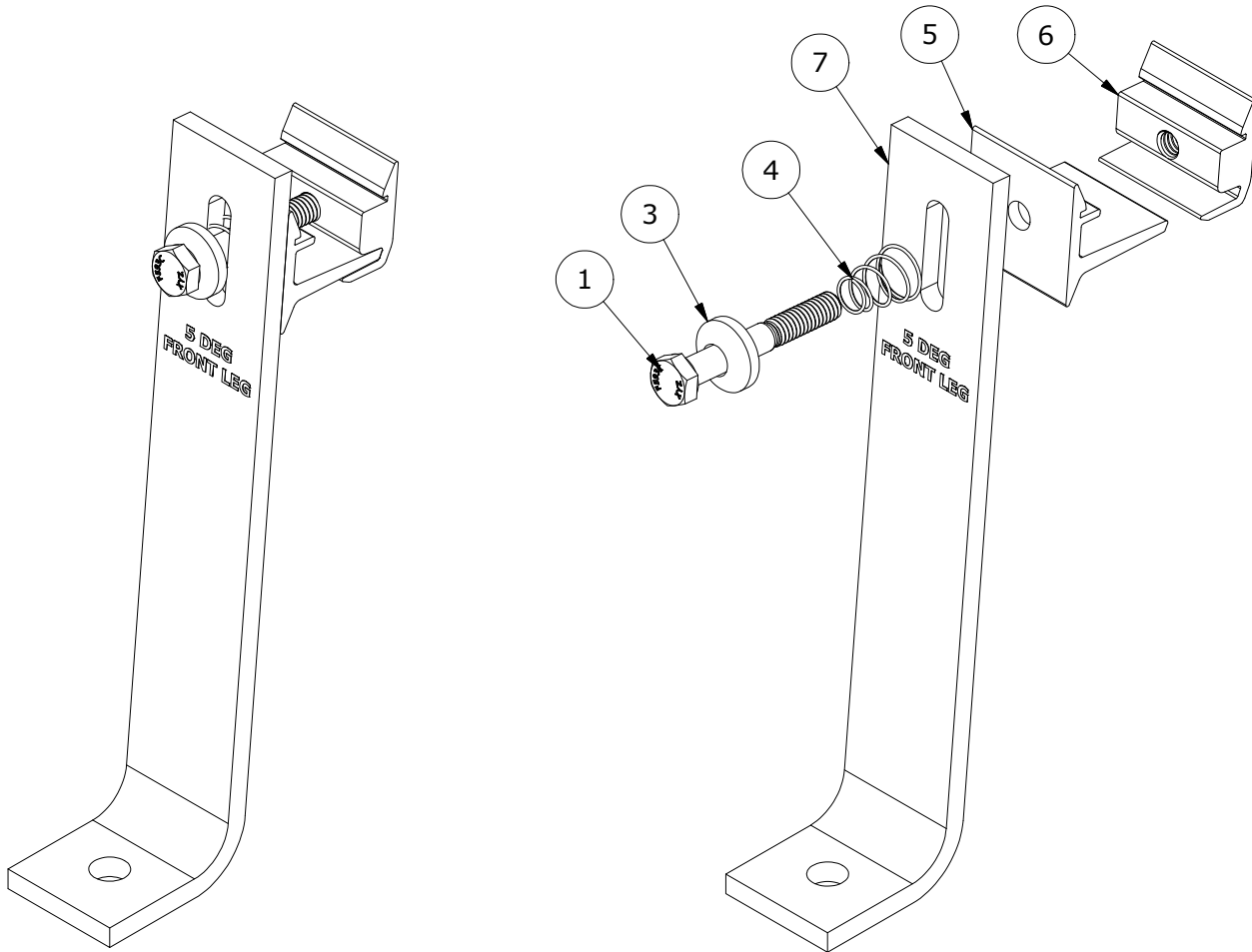
UNITS: IN, LB, DEG [MM, KG, DEG]

SHEET: 1:2

REV:  
**A**

DATE:  
 11/22/2024

THE INFORMATION IN THIS DRAWING IS CONFIDENTIAL AND PROPRIETARY. ANY REPRODUCTION, DISCLOSURE, OR USE THEREOF IS PROHIBITED WITHOUT THE WRITTEN CONSENT OF SUNRUN SOUTH LLC.



**PARTS LIST**

ITEM	QTY	DESCRIPTION
5	1	SNAPNRACK, ULTRA RAIL MOUNT THRU PRC, CLEAR
6	1	SNAPNRACK, ULTRA RAIL MOUNT TAPPED PRC, CLEAR
1	1	5/16IN-18 X 2-1/4IN SS HCS BOLT
4	1	SNAPNRACK, ULTRA RAIL MOUNT SPRING, SS
3	1	SNAPNRACK, ULTRA RAIL MOUNT SPRING CAGE
7	1	SNAPNRACK, 5 DEG SIMPLE TILT LEG, FRONT

MATERIALS: 6061-T6 OR 6005-T5, STAINLESS STEEL

DESIGN LOAD (LBS): 789 UP, 833 DOWN, 654 SIDE

ULTIMATE LOAD (LBS): N/A

TORQUE SPECIFICATION: 12 FT-LBS

CERTIFICATION: UL 2703, FILE E359313; DOMESTIC CONTENT COMPLIANT

WEIGHT (LBS): SEE TABLE ON SHEET 2

DESCRIPTION:  
**SNAPNRACK, TDS, ULTRA RAIL SIMPLE TILT (USA)**

DOC NUMBER:  
 SNR-DC-01445

SnapNrack®

PART NUMBER(S):  
 242-10060-USA, 242-10061-USA, 242-10062-USA

DRAWN BY:  
 M.AFFENTRANGER

SNR SOLAR LLC

775 FIERO LANE, SUITE 200  
 SAN LUIS OBISPO, CA 93401 USA  
 EMAIL: CONTACT@SNAPNRACK.COM

UNITS: IN, LB, DEG [MM, KG, DEG]

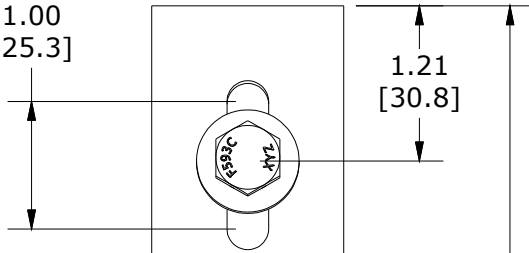
SHEET: 2:2

REV: **A**      DATE: 11/22/2024

THE INFORMATION IN THIS DRAWING IS CONFIDENTIAL AND PROPRIETARY. ANY REPRODUCTION, DISCLOSURE, OR USE THEREOF IS PROHIBITED WITHOUT THE WRITTEN CONSENT OF SUNRUN SOUTH LLC.

LEVELING SLOT:

1.00  
 [25.3]



5 DEG  
 FRONT LEG

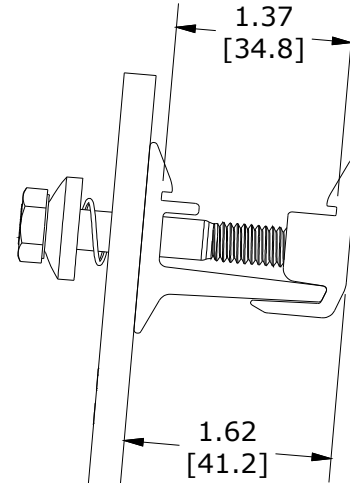
1.21  
 [30.8]

HEIGHT VARIES,  
 REFER TO TABLE

ANGLE VARIES,  
 REFER TO TABLE

1.50  
 [38.1]

1.25  
 [31.8]



1.37  
 [34.8]

1.62  
 [41.2]

TABLE OF PROPERTIES

ITEM	DESCRIPTION	HEIGHT	WEIGHT	ANGLE
242-10060	ULTRA RAIL SIMPLE TILT FRONT LEG, 5 DEG	8.59	0.55	5 DEG
242-10061	ULTRA RAIL SIMPLE TILT BACK LEG, LANDSCAPE, 5 DEG	10.70	0.62	5 DEG
242-10062	ULTRA RAIL SIMPLE TILT BACK LEG, PORTRAIT, 5 DEG	12.80	0.70	5 DEG