

DESCRIPTION:  
**SNAPNRACK, TDS, UNIVERSAL SKIRTRAIL (USA)**

DOC NUMBER:  
 SNR-DC-01446



PART NUMBER(S):  
 232-02492-USA, 232-02493-USA

DRAWN BY:  
 M.AFFENTRANGER

REV: **A**      DATE:  
 11/22/2024

SNR SOLAR LLC

775 FIERO LANE, SUITE 200  
 SAN LUIS OBISPO, CA 93401 USA  
 EMAIL: CONTACT@SNAPNRACK.COM

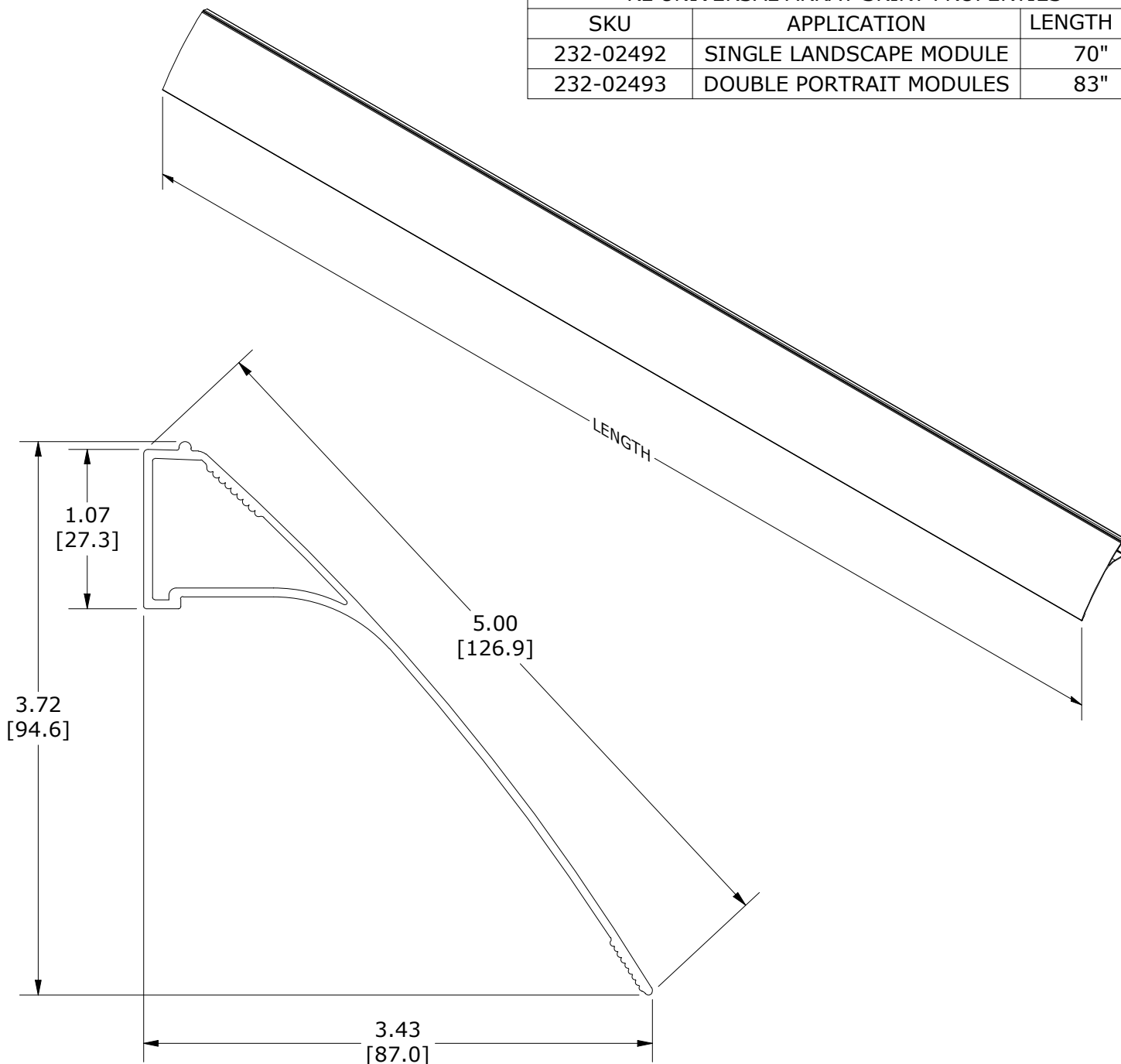
THE INFORMATION IN THIS DRAWING IS CONFIDENTIAL AND PROPRIETARY. ANY REPRODUCTION, DISCLOSURE, OR USE THEREOF IS PROHIBITED WITHOUT THE WRITTEN CONSENT OF SUNRUN SOUTH LLC.

UNITS: IN, LB, DEG [MM, KG, DEG]

SHEET: 1:1

**RL UNIVERSAL ARRAY SKIRT PROPERTIES**

SKU	APPLICATION	LENGTH (X)
232-02492	SINGLE LANDSCAPE MODULE	70"
232-02493	DOUBLE PORTRAIT MODULES	83"



MATERIALS:	6000 SERIES ALUMINUM
DESIGN LOAD (LBS):	N/A
ULTIMATE LOAD (LBS):	N/A
TORQUE SPECIFICATION:	N/A FT-LBS
CERTIFICATION:	UL 2703, FILE E359313; DOMESTIC CONTENT COMPLIANT
WEIGHT (LBS):	3.94 - 4.74