

DESCRIPTION:  
**SNAPNRACK, TDS, TOPSPEED UNIVERSAL,  
 MOUNT (USA)**

DOC NUMBER:  
 SNR-DC-01381

**SnapNrack®**

PART NUMBER(S):

242-02155-USA

DRAWN BY:  
 M.AFFENTRANGER

SNR SOLAR LLC

REV: DATE:

775 FIERO LANE, SUITE 200  
 SAN LUIS OBISPO, CA 93401 USA  
 EMAIL: CONTACT@SNAPNRACK.COM

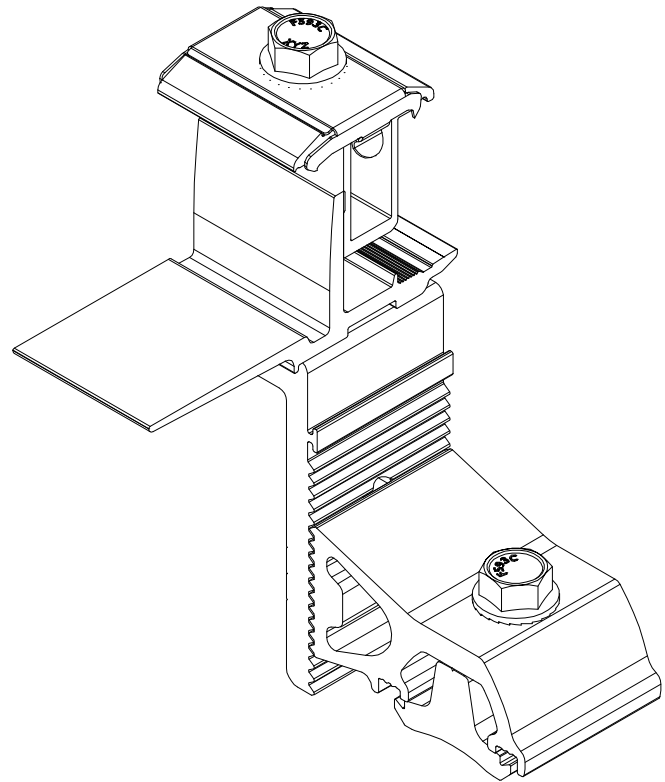
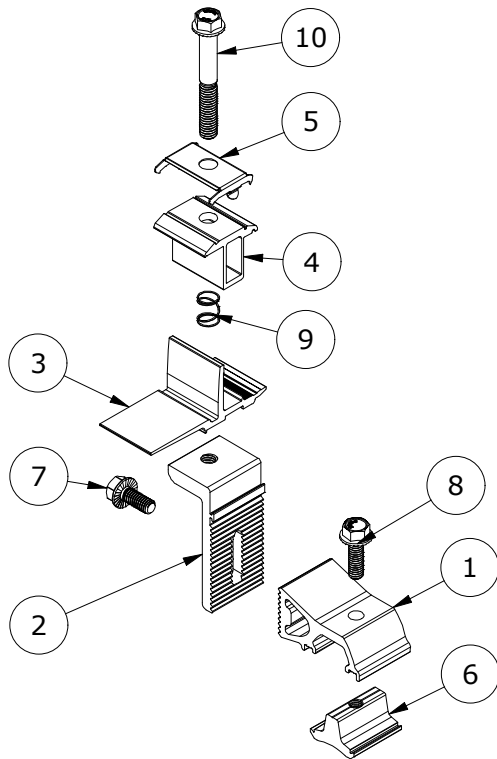
**A**

11/22/2024

THE INFORMATION IN THIS DRAWING IS CONFIDENTIAL AND PROPRIETARY. ANY REPRODUCTION, DISCLOSURE, OR USE THEREOF IS PROHIBITED WITHOUT THE WRITTEN CONSENT OF SUNRUN SOUTH LLC.

UNITS: IN, LB, DEG [MM, KG, DEG]

SHEET: 1:2



**PARTS LIST**

ITEM	QTY	DESCRIPTION
1	1	SNAPNRACK, TOPSPEED UNIVERSAL, RISER, MILL
2	1	SNAPNRACK, TOPSPEED UNIVERSAL, LEVELER, MILL
3	1	SNAPNRACK, TOPSPEED UNIVERSAL, MOUNT BOTTOM, MILL
4	1	SNAPNRACK, TOPSPEED UNIVERSAL, MOUNT TOP, BLACK
5	1	SNAPNRACK, TOPSPEED UNIVERSAL, BONDING CLIP
6	1	SNAPNRACK, DROP IN/ROCK IN CHANNEL NUT
7	1	BOLT, FLANGE, 5/16IN-18 X 3/4IN, CLEAR, SS
8	1	BOLT, FLANGE, SERRATED, 5/16IN-18 X 1IN, SS
9	1	SNAPNRACK, TOPSPEED UNIVERSAL, MOUNT SPRING, SS
10	1	BOLT, FLANGE, SERRATED, 3/8IN-16 X 2-3/4IN, 1/2IN TRIM HEAD, 1.2IN THREAD, BLACK, SS

MATERIALS: 6000 SERIES ALUMINUM, STAINLESS STEEL

DESIGN LOAD (LBS): 623 UP, 674 DOWN, 505 SIDE

ULTIMATE LOAD (LBS): N/A

TORQUE SPECIFICATION: 12 FT-LBS

CERTIFICATION: UL 2703, FILE E359313; DOMESTIC CONTENT COMPLIANT

WEIGHT (LBS): 0.73