

DESCRIPTION:
SNAPNRACK, TDS, UR-40 & UR-45 SPLICE (USA)

DOC NUMBER:
SNR-DC-01449

SnapNrack®

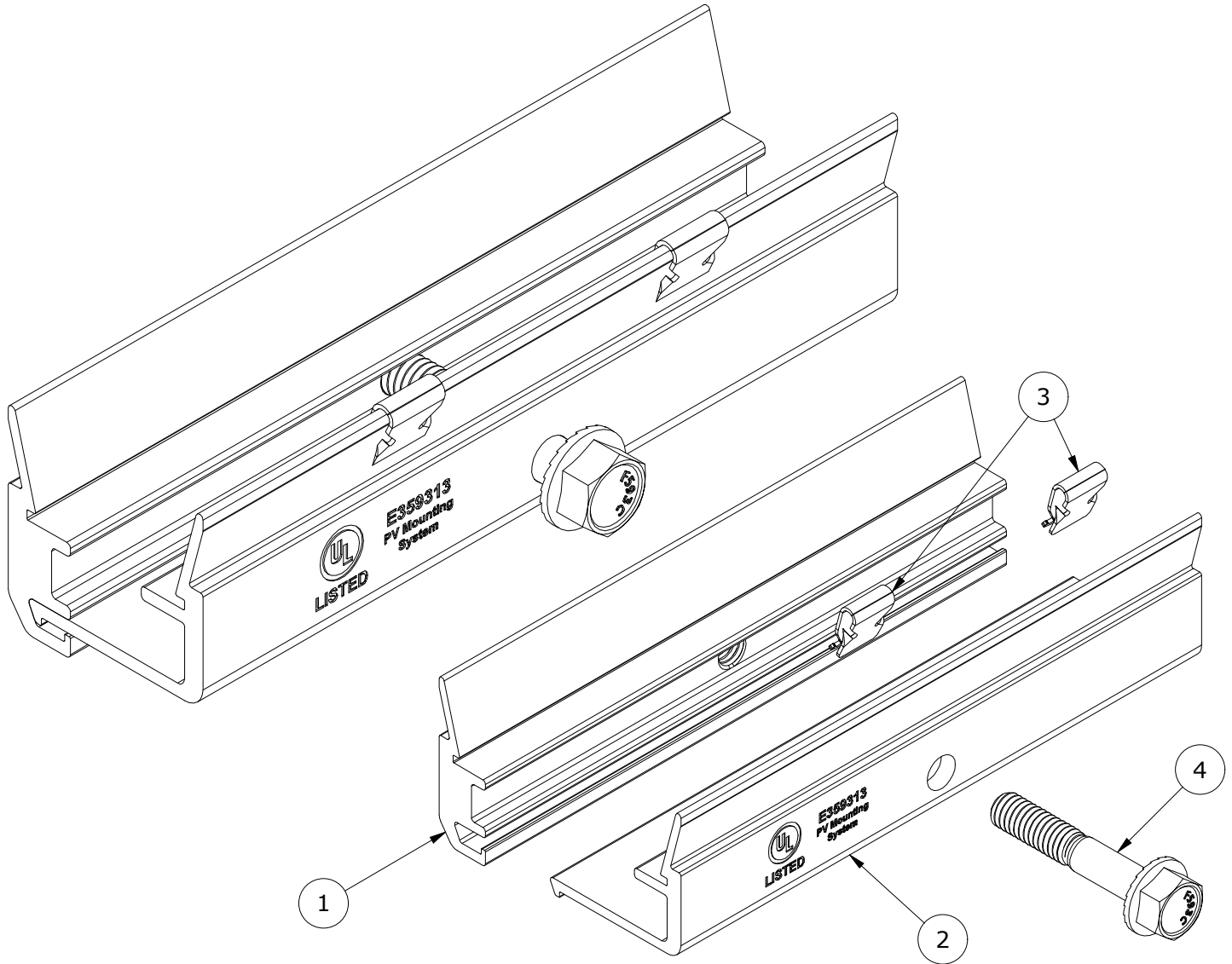
PART NUMBER(S):
242-01213-USA, 242-01214-USA

DRAWN BY:
M.AFFENTRANGER

REV: **A** DATE:
11/22/2024

SNR SOLAR LLC
775 FIERO LANE, SUITE 200
SAN LUIS OBISPO, CA 93401 USA
EMAIL: CONTACT@SNAPNRACK.COM
THE INFORMATION IN THIS DRAWING IS CONFIDENTIAL AND PROPRIETARY. ANY REPRODUCTION, DISCLOSURE, OR USE THEREOF IS PROHIBITED WITHOUT THE WRITTEN CONSENT OF SUNRUN SOUTH LLC.

UNITS: IN, LB, DEG [MM, KG, DEG] SHEET: 1:2



PARTS LIST

ITEM	QTY	DESCRIPTION
1	1	SNAPNRACK, UR-40 SPLICE TAPPED PRC, CLEAR / BLACK
2	1	SNAPNRACK, UR-40 SPLICE THRU PRC, CLEAR / BLACK
3	2	SNAPNRACK, SNAPLINK BONDING CLIP, TYPE 2, STEEL
4	1	BOLT, FLANGE, SERRATED, 5/16IN-18 X 1-3/4IN, SS

MATERIALS: 6000 SERIES ALUMINUM, STAINLESS STEEL

DESIGN LOAD (LBS): N/A

ULTIMATE LOAD (LBS): N/A

TORQUE SPECIFICATION: 12 FT-LBS

CERTIFICATION: UL 2703, FILE E359313; DOMESTIC CONTENT COMPLIANT

WEIGHT (LBS): 0.52