

DESCRIPTION:  
SNAPNRACK, TDS, UR-45 RAIL (USA)

DOC NUMBER:  
SNR-DC-01451



PART NUMBER(S):  
232-10095-USA, 232-10096-USA, 232-10130-USA

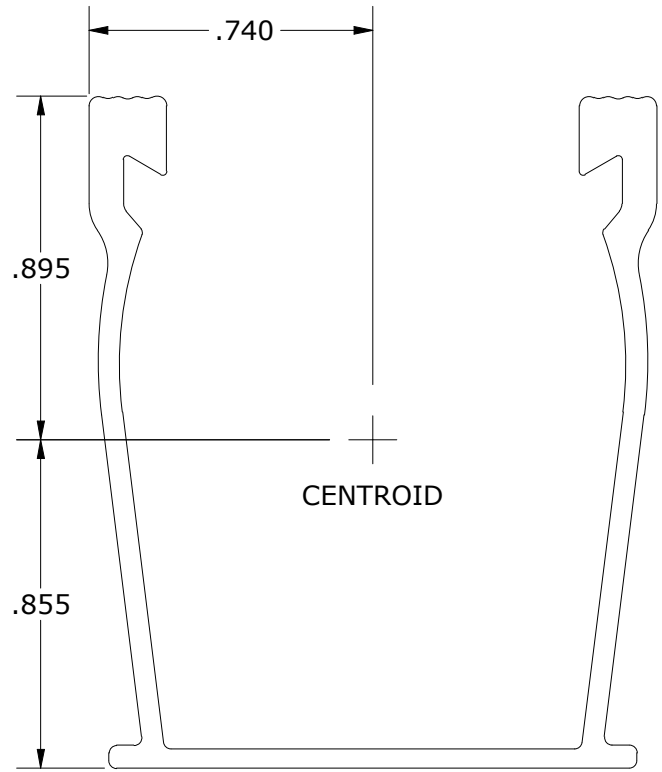
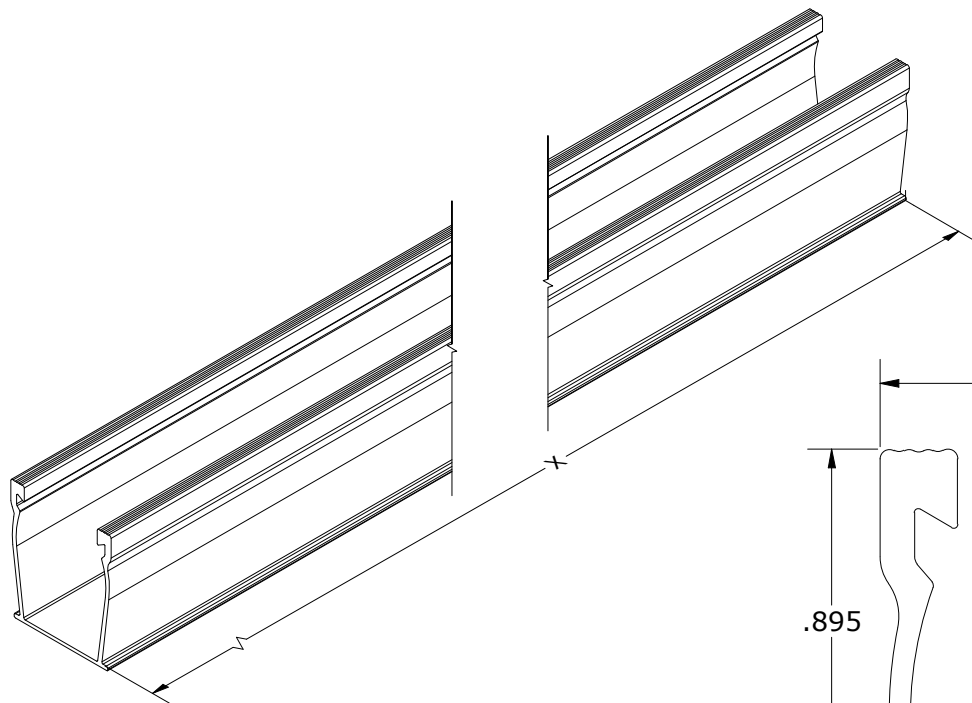
DRAWN BY:  
H.WULFEKOETTER

REV: **B**      DATE: 2/12/2025

SNR SOLAR LLC  
775 FIERO LANE, SUITE 200  
SAN LUIS OBISPO, CA 93401 USA  
EMAIL: CONTACT@SNAPNRACK.COM  
THE INFORMATION IN THIS DRAWING IS CONFIDENTIAL AND PROPRIETARY. ANY REPRODUCTION, DISCLOSURE, OR USE THEREOF IS PROHIBITED WITHOUT THE WRITTEN CONSENT OF SNR SOLAR LLC.

UNITS: IN, LB, DEG [MM, KG, DEG]      SHEET: 1:1

UR-45 RAIL PROPERTIES			
SKU	FINISH	RAIL LENGTH (X)	WEIGHT (lb)
232-10095-USA	MILL	172 in	5.55
232-10096-USA	BLACK	172 in	5.55
232-10130-USA	MILL	186 in	6.00



SECTION PROPERTIES	
A	0.319 in <sup>2</sup>
I <sub>xx</sub>	0.134 in <sup>4</sup>
I <sub>yy</sub>	0.121 in <sup>4</sup>
S <sub>x</sub> (TOP)	0.152 in <sup>3</sup>
S <sub>x</sub> (BOT)	0.156 in <sup>3</sup>
S <sub>y</sub> (LEFT)	0.164 in <sup>3</sup>
S <sub>y</sub> (RIGHT)	0.164 in <sup>3</sup>

MATERIALS:	6005-T5 ALUMINUM
DESIGN LOAD (LBS):	N/A
ULTIMATE LOAD (LBS):	N/A
TORQUE SPECIFICATION:	N/A FT-LBS
CERTIFICATION:	UL 2703, FILE E359313
WEIGHT (LBS):	VARIES, SEE PROPERTIES TABLE