

DESCRIPTION:
SNAPNRACK, TDS, ALPHATRACK (USA)

DOC NUMBER:
 SNR-DC-01452

SnapNrack®

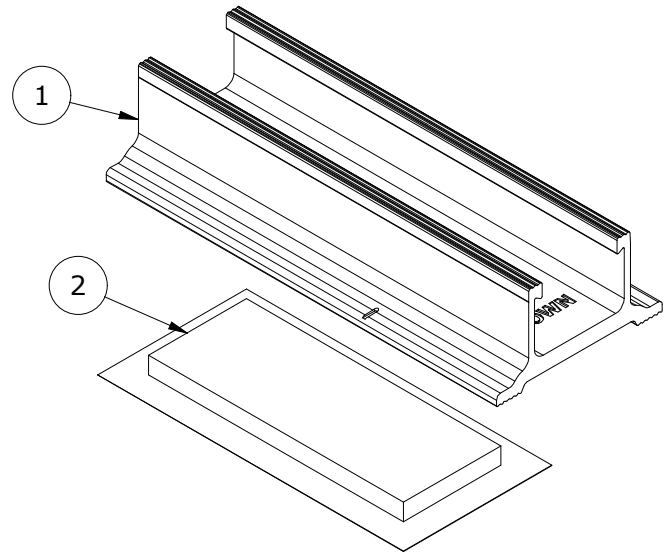
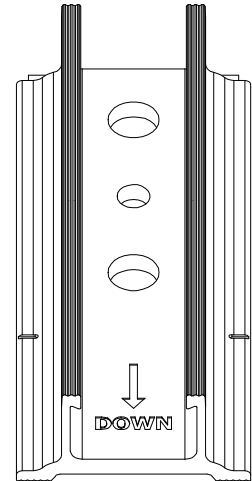
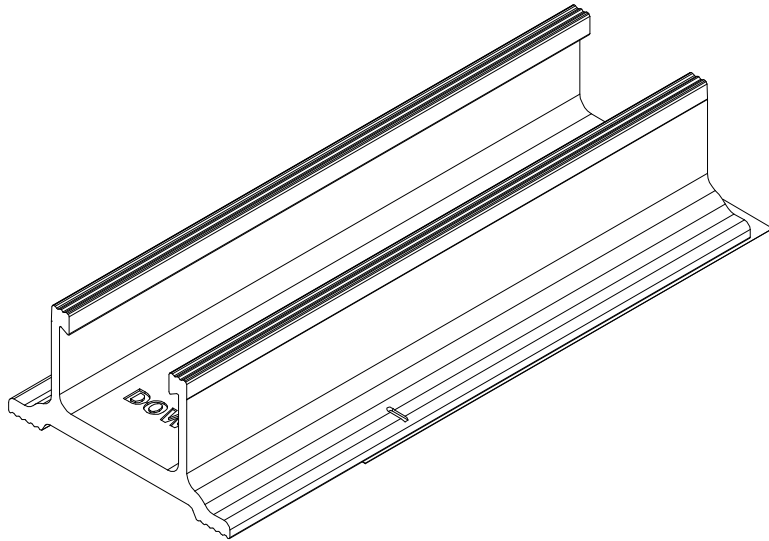
PART NUMBER(S):
 242-10063-USA

DRAWN BY:
 H.WULFEKOETTER

REV: **A** DATE:
 11/21/2024

SNR SOLAR LLC
 775 FIERO LANE, SUITE 200
 SAN LUIS OBISPO, CA 93401 USA
 EMAIL: CONTACT@SNAPNRACK.COM
THE INFORMATION IN THIS DRAWING IS CONFIDENTIAL AND PROPRIETARY. ANY REPRODUCTION, DISCLOSURE, OR USE THEREOF IS PROHIBITED WITHOUT THE WRITTEN CONSENT OF SNR SOLAR LLC.

UNITS: IN, LB, DEG [MM, KG, DEG] SHEET: 1:2



PARTS LIST

ITEM	QTY	DESCRIPTION
1	1	SNAPNRACK, ALPHATRACK, MILL
2	1	SNAPNRACK, BUTYL PAD, 3.75IN X 1.50IN X .25IN

MATERIALS: 6000 SERIES ALUMINUM, BUTYL

DESIGN LOAD (LBS): VARIES, REFER TO SNAPNRACK ENGINEERING

ULTIMATE LOAD (LBS): VARIES, REFER TO SNAPNRACK ENGINEERING

TORQUE SPECIFICATION: N/A FT-LBS

CERTIFICATION: UL 2703, FILE E359313, DOMESTIC CONTENT COMPLIANT

WEIGHT (LBS): 0.43

DESCRIPTION:
SNAPNRACK, TDS, ALPHATRACK (USA)

DOC NUMBER:
SNR-DC-01452

SnapNrack®

PART NUMBER(S):
242-10063-USA

DRAWN BY:
H.WULFEKOETTER

REV: **A** DATE:
11/21/2024

SNR SOLAR LLC
775 FIERO LANE, SUITE 200
SAN LUIS OBISPO, CA 93401 USA
EMAIL: CONTACT@SNAPNRACK.COM
THE INFORMATION IN THIS DRAWING IS CONFIDENTIAL AND PROPRIETARY. ANY REPRODUCTION, DISCLOSURE, OR USE THEREOF IS PROHIBITED WITHOUT THE WRITTEN CONSENT OF SNR SOLAR LLC.

UNITS: IN, LB, DEG [MM, KG, DEG] SHEET: 2:2

