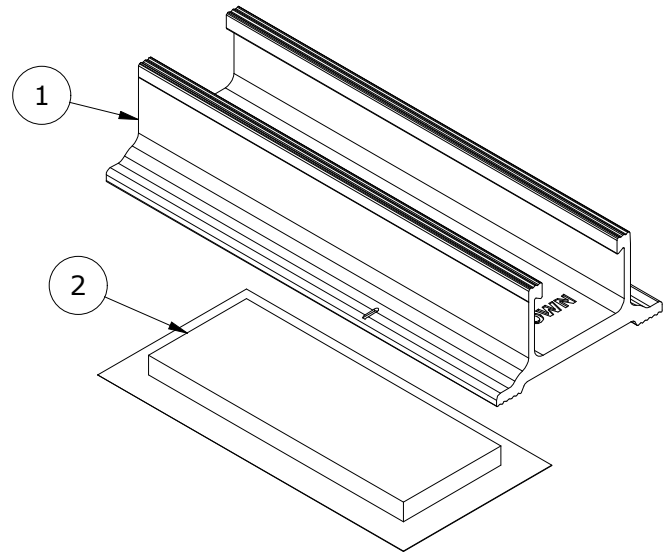
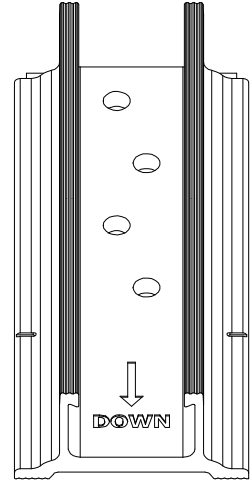
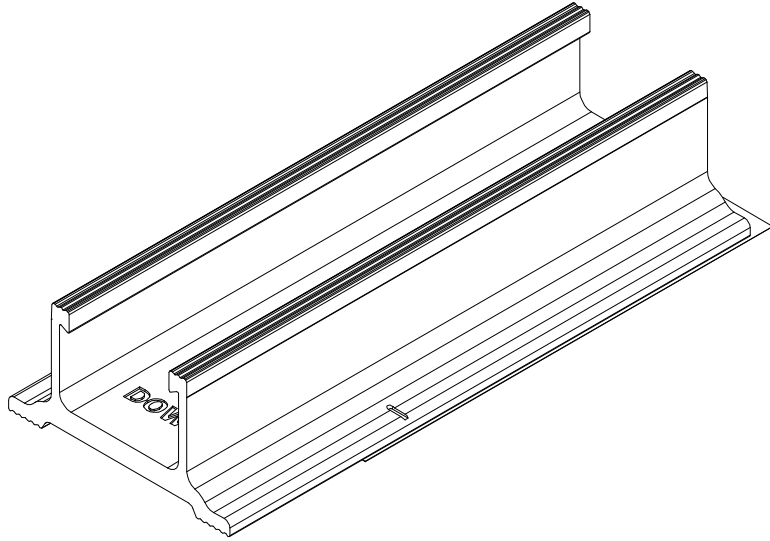


DESCRIPTION: <b>SNAPNRACK, DELTATRACK (USA)</b>		DOC NUMBER: SNR-DC-01453	<h1>SnapNrack®</h1>
PART NUMBER(S): <b>242-10064-USA</b>		DRAWN BY: H.WULFEKOETTER	
UNITS: IN, LB, DEG [MM, KG, DEG]	SHEET: 1:2	REV: <b>A</b>	DATE: 11/21/2024
<b>SNR SOLAR LLC</b> 775 FIERO LANE, SUITE 200 SAN LUIS OBISPO, CA 93401 USA EMAIL: CONTACT@SNAPNRACK.COM <small>THE INFORMATION IN THIS DRAWING IS CONFIDENTIAL AND PROPRIETARY. ANY REPRODUCTION, DISCLOSURE, OR USE THEREOF IS PROHIBITED WITHOUT THE WRITTEN CONSENT OF SNR SOLAR LLC.</small>			



**PARTS LIST**

ITEM	QTY	DESCRIPTION
1	1	SNAPNRACK, DELTATRACK, MILL
2	1	SNAPNRACK, BUTYL PAD, 3.75IN X 1.50IN X .25IN

MATERIALS:	6000 SERIES ALUMINUM, BUTYL
DESIGN LOAD (LBS):	VARIABLE, REFER TO SNAPNRACK ENGINEERING
ULTIMATE LOAD (LBS):	VARIABLE, REFER TO SNAPNRACK ENGINEERING
TORQUE SPECIFICATION:	N/A FT-LBS
CERTIFICATION:	UL 2703, FILE E359313, DOMESTIC CONTENT COMPLIANT
WEIGHT (LBS):	0.44

DESCRIPTION:  
SNAPNRACK, DELTATRACK (USA)

DOC NUMBER:  
SNR-DC-01453

SnapNrack®

PART NUMBER(S):  
242-10064-USA

DRAWN BY:  
H.WULFEKOETTER

REV: **A**      DATE:  
11/21/2024

SNR SOLAR LLC  
775 FIERO LANE, SUITE 200  
SAN LUIS OBISPO, CA 93401 USA  
EMAIL: CONTACT@SNAPNRACK.COM  
THE INFORMATION IN THIS DRAWING IS CONFIDENTIAL AND PROPRIETARY. ANY REPRODUCTION, DISCLOSURE, OR USE THEREOF IS PROHIBITED WITHOUT THE WRITTEN CONSENT OF SNR SOLAR LLC.

UNITS: IN, LB, DEG [MM, KG, DEG]      SHEET: 2:2

