

DESCRIPTION:
SNAPNRACK, TDS, ULTRAFOOT RAFTER (USA)

DOC NUMBER:
 SNR-DC-01454

SnapNrack®

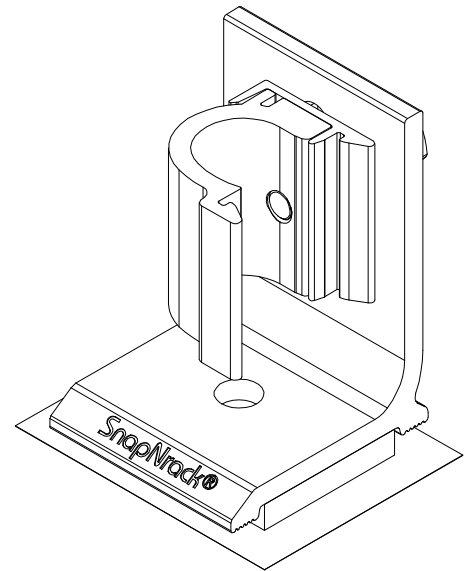
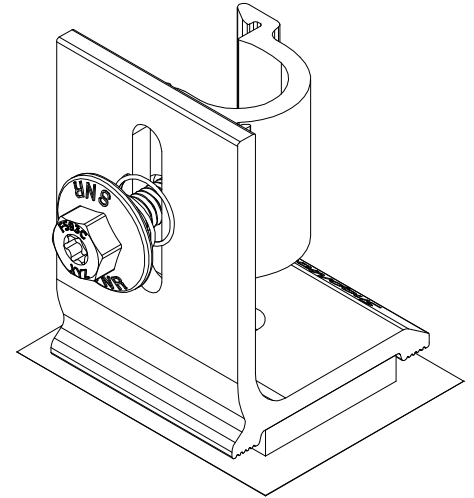
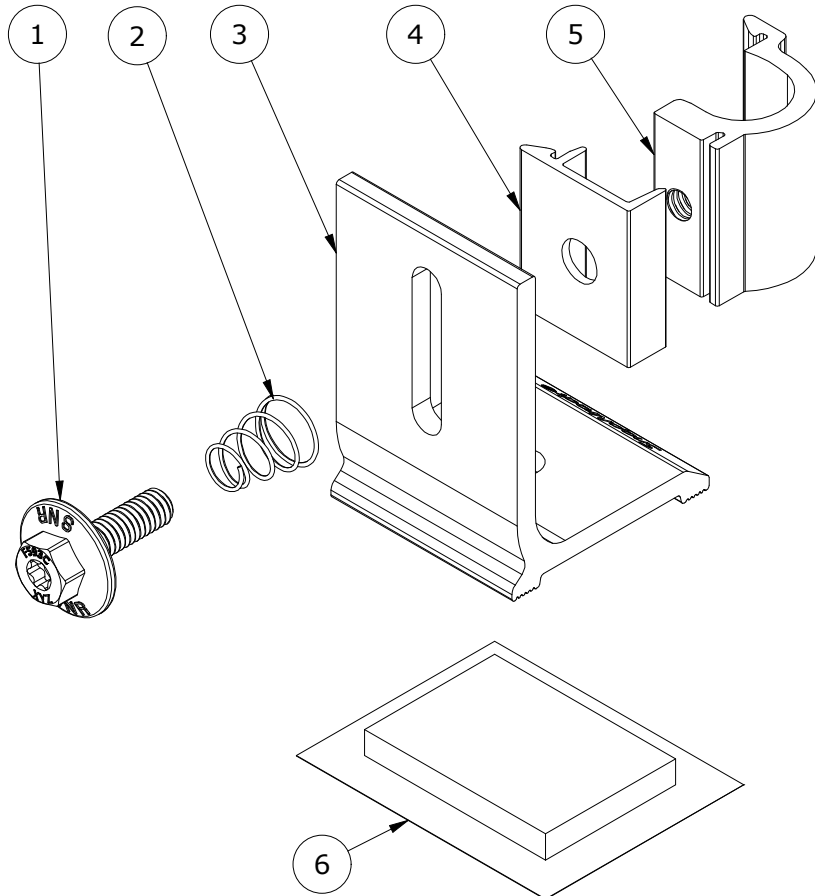
PART NUMBER(S):
 242-10057-USA

DRAWN BY:
 H.WULFEKOETTER

SNR SOLAR LLC
 775 FIERO LANE, SUITE 200
 SAN LUIS OBISPO, CA 93401 USA
 EMAIL: CONTACT@SNAPNRACK.COM
THE INFORMATION IN THIS DRAWING IS CONFIDENTIAL AND PROPRIETARY. ANY REPRODUCTION, DISCLOSURE, OR USE THEREOF IS PROHIBITED WITHOUT THE WRITTEN CONSENT OF SNR SOLAR LLC.

UNITS: IN, LB, DEG [MM, KG, DEG] SHEET: 1:2

REV: DATE:
A 11/26/2024



PARTS LIST

ITEM	QTY	DESCRIPTION
1	1	BOLT, WIDE FLANGE, RECESSED, 5-16IN-18 X 1IN, SS
2	1	SNAPNRACK, ULTRA RAIL MOUNT SPRING, SS
3	1	SNAPNRACK, ULTRAFOOT BASE, RAFTER, BLACK
4	1	SNAPNRACK, UR FLIP CLAMP, THRU, SILVER
5	1	SNAPNRACK, FLIP CLAMP, TAP, BLACK
6	1	SNAPNRACK, BUTYL PAD, 2IN X 1.5IN X .25IN

MATERIALS: 6000 SERIES ALUMINUM & 300 SERIES STAINLESS STEEL

DESIGN LOAD (LBS): VARIES, REFER TO SNAPNRACK ENGINEERING

ULTIMATE LOAD (LBS): VARIES, REFER TO SNAPNRACK ENGINEERING

TORQUE SPECIFICATION: 16 FT-LBS FT-LBS

CERTIFICATION: UL 2703, FILE E359313; DOMESTIC CONTENT COMPLIANT

WEIGHT (LBS): .365

DESCRIPTION:
SNAPNRACK, TDS, ULTRAFOOT RAFTER (USA)

DOC NUMBER:
 SNR-DC-01454

SnapNrack®

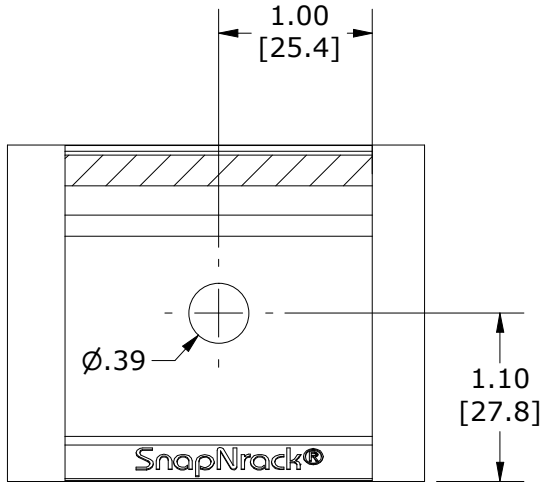
PART NUMBER(S):
 242-10057-USA

DRAWN BY:
 H.WULFEKOETTER

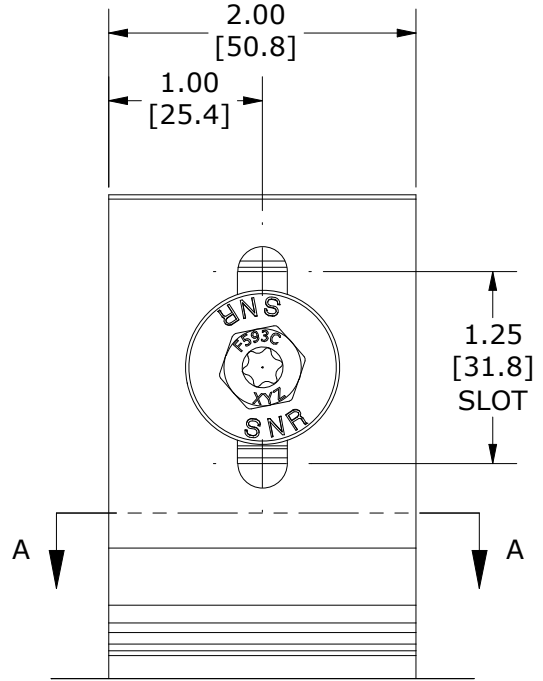
SNR SOLAR LLC
 775 FIERO LANE, SUITE 200
 SAN LUIS OBISPO, CA 93401 USA
 EMAIL: CONTACT@SNAPNRACK.COM
THE INFORMATION IN THIS DRAWING IS CONFIDENTIAL AND PROPRIETARY. ANY REPRODUCTION, DISCLOSURE, OR USE THEREOF IS PROHIBITED WITHOUT THE WRITTEN CONSENT OF SNR SOLAR LLC.

UNITS: IN, LB, DEG [MM, KG, DEG] SHEET: 2:2

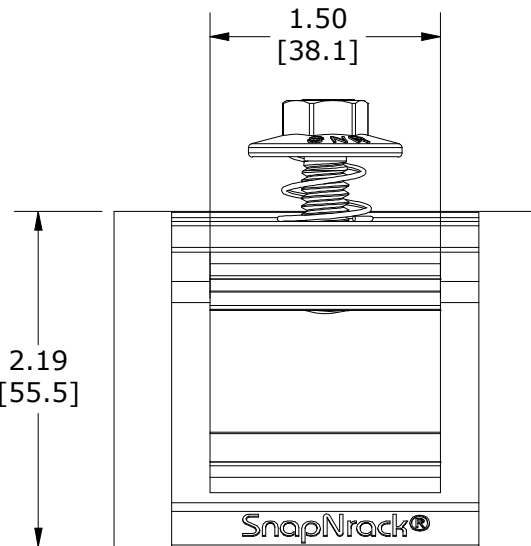
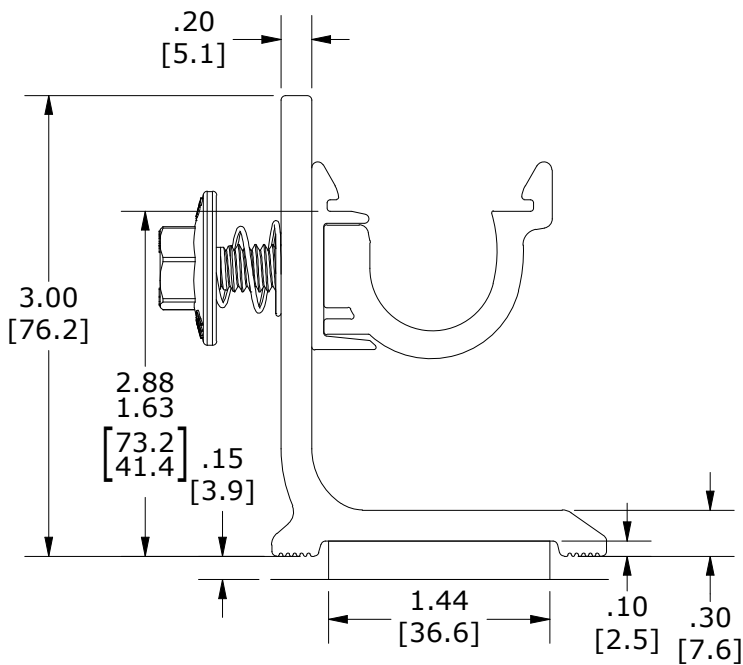
REV: **A** DATE: 11/26/2024



SECTION A-A



BACK



TOP