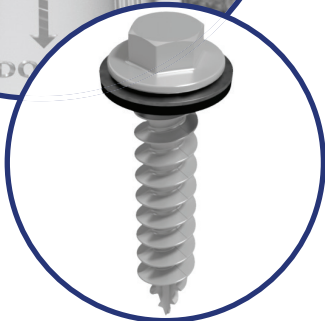
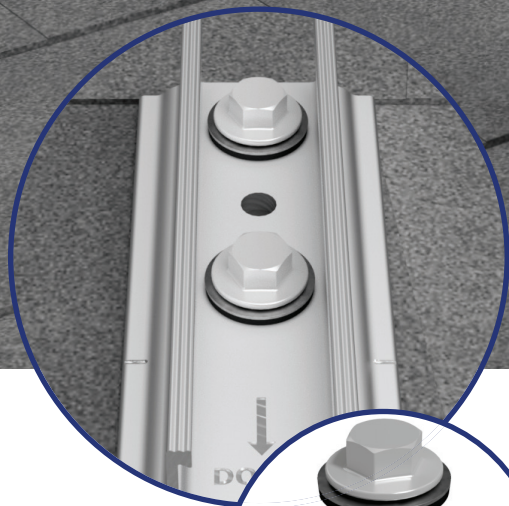
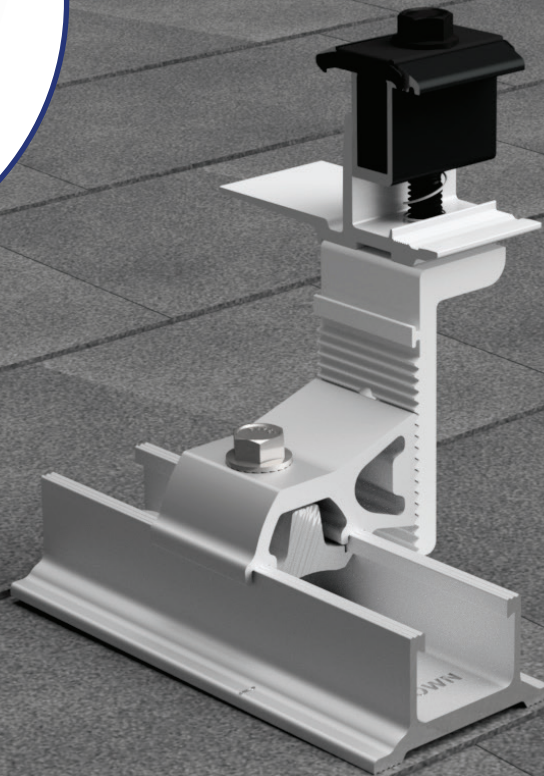


AlphaTrack™ & DeltaTrack™

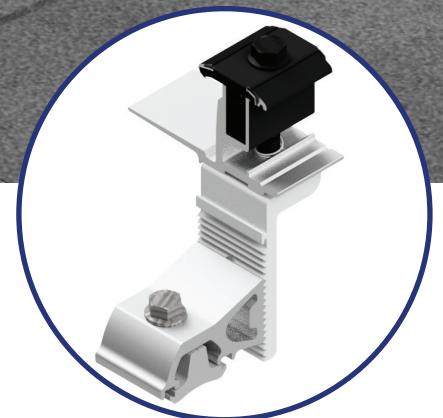
The Ultimate Attachment for TopSpeed® Universal



Features **SpeedSeal™+ Technology**, a pre-installed butyl pad for easy peel & stick installation



Proprietary fastener reduces the number of screws for deck mounting & increases torque-out strength by 600% compared to #14 wood screws



Fully compatible with existing TopSpeed Universal Mount & SnapNrack railless products & accessories

Start Installing AlphaTracks or DeltaTracks Today

Flexible Rafter & Deck Mounting Options

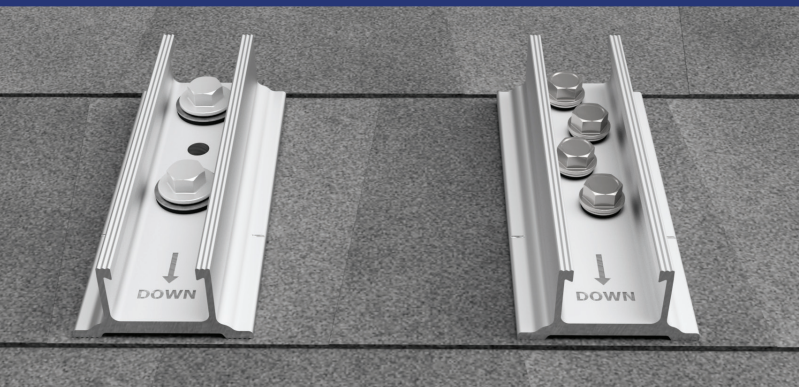
- AlphaTrack & DeltaTrack available to accommodate rafter & deck mounting based on DeckAnchor™ or wood screw install preferences
- Fully compatible with existing **TopSpeed® Universal Mount** that features a rock-in channel nut design for easy attachment & slotted riser provides leveling for easy height adjustments
- Available in domestic content options, refer to “-USA” SKUs



AlphaTrack™
242-10063-USA

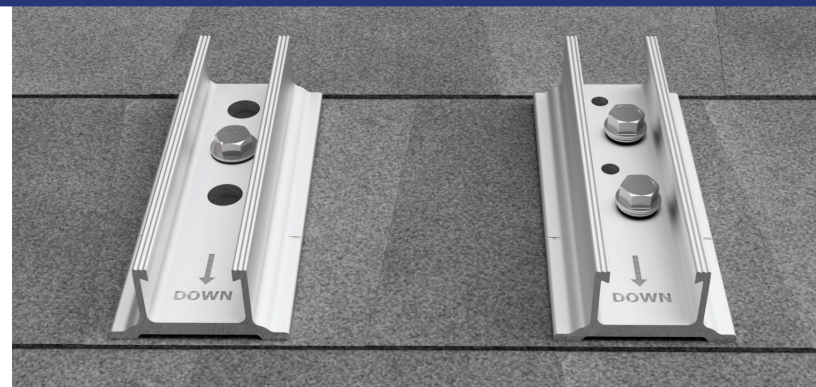


DeltaTrack™
242-10064 &
242-10064-USA



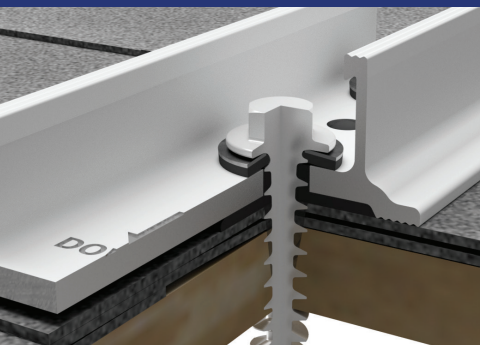
Deck Mounting Fastening Configurations

- AlphaTrack (left) easily installs with (2) DeckAnchors, 242-10035, & DeckTrack (right) requires (4) Sealing Wood Screws, 242-10010



Rafter Mounting Fastening Configurations

- AlphaTrack (left) requires (1) Sealing Washer Lag, 242-02168 & DeckTrack (right) requires (2) Sealing Wood Screws, 242-10010



Patented SpeedSeal+ Technology

- 0.25” thick industry-leading pre-applied butyl
- Innovative bottom design features recessed edges with butyl for firm contact with roof & prevents butyl from squeezing out over time
- Creates a watertight seal over all the roof surfaces, including across shingle tabs
- TAS 100A Wind Driven Rain Testing

Proprietary DeckAnchor™ Fasteners

- Wide threads securely grip the wood deck & significantly reduces the potential for over-tightening
- Reduces the required screw count in half for deck mounting & increases the torque-out strength by 600% compared to a standard #14 wood screw
- ASTM D1761 Screw Capacities
- ½” hex head to maintain the SnapNrack tradition of a single tool install

