

THE SNAPNRACK SIMPLE TILT IS A SIMPLE SOLUTION FOR INSTALLATIONS REQUIRING MODULE TILT BEYOND THE EXISTING ROOF SLOPE

REFER TO SNAPNRACK ENGINEERING CHARTS FOR APPLICABLE RAIL SPANS.

*ALTERNATE FASTENERS AND STRUCTURAL SUBSTRATES ARE PERMITTED. SNAPNRACK'S STANDARD ENGINEERING REQUIRES MINIMUM FASTENER ALLOWABLE CAPACITIES OF **532 LBS** WITHDRAWAL AND **270 LBS** SHEAR. CAPACITIES LOWER THAN THIS WILL REQUIRE SITE-SPECIFIC ENGINEERING

REFER TO THE SNAPNRACK INSTALLATION MANUAL FOR TORQUE SPECIFICATIONS

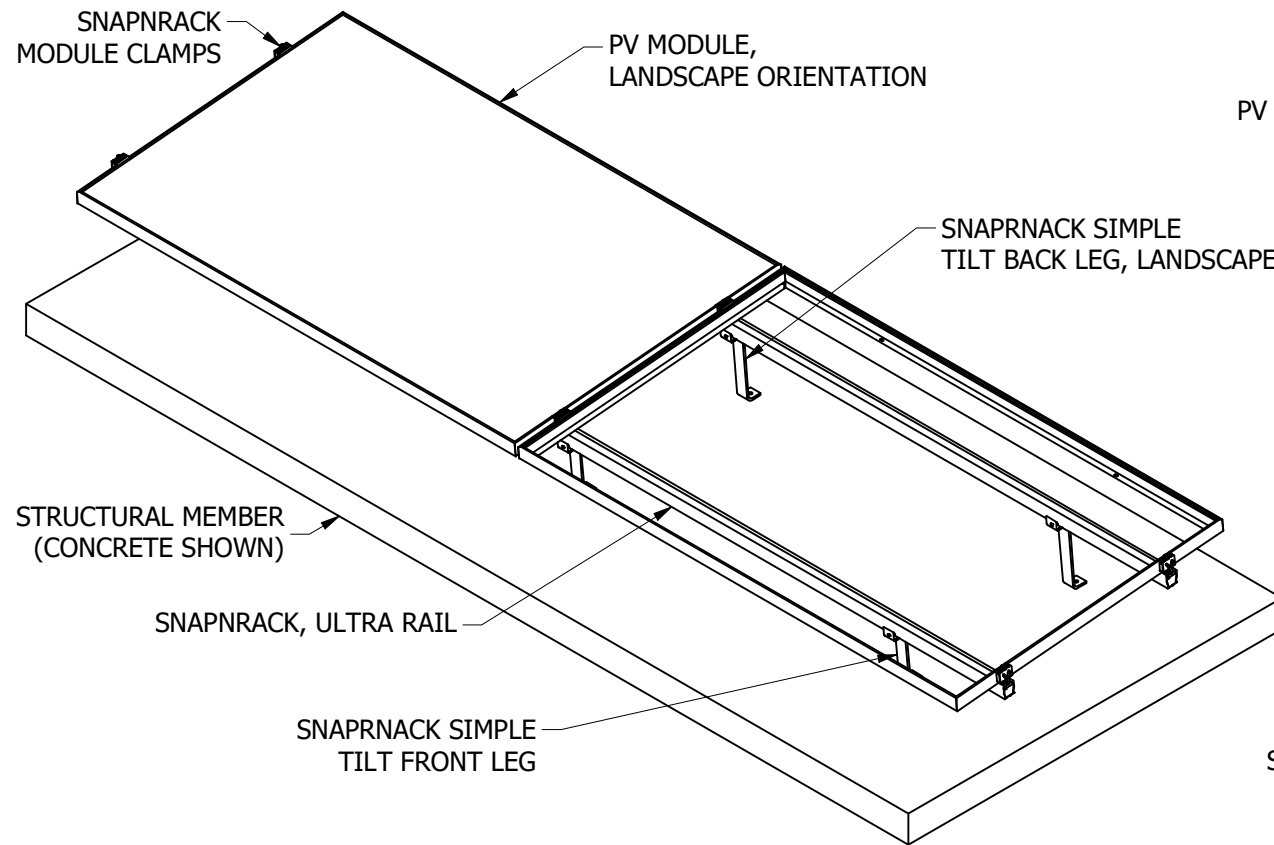
FOR ADDITIONAL SYSTEM REQUIREMENTS, INCLUDING MODULE OVERHANG, SEE "SNR-DC-00329 ULTRA RAIL, SYSTEM OVERVIEW, TYPICAL"

THE SIMPLE TILT FEATURES 1" OF VERTICAL ADJUSTABILITY FOR LEVELING RAILS

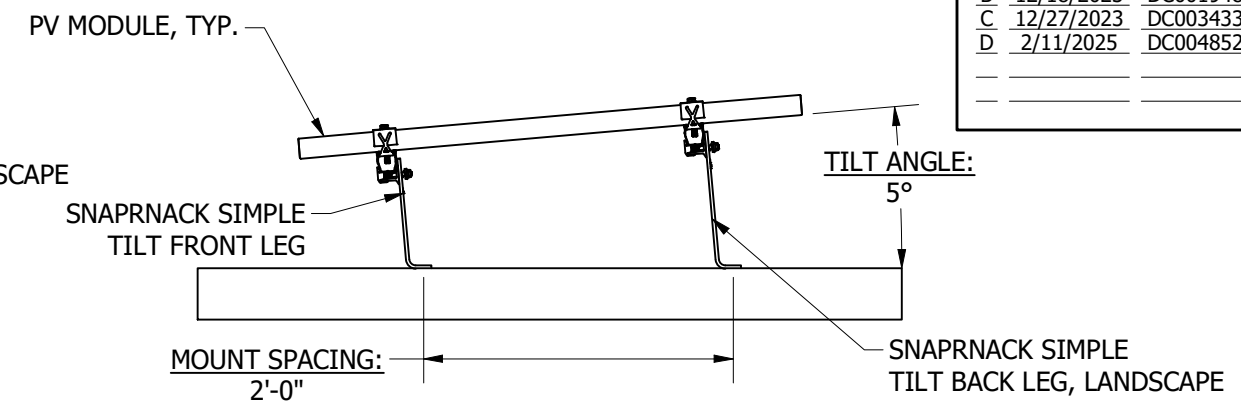
RAILS CAN BE MOUNTED UPSLOPE OR DOWNSLOPE OF THE TILT LEGS

REVERSE TILT APPLICATIONS ARE NOT SUPPORTED

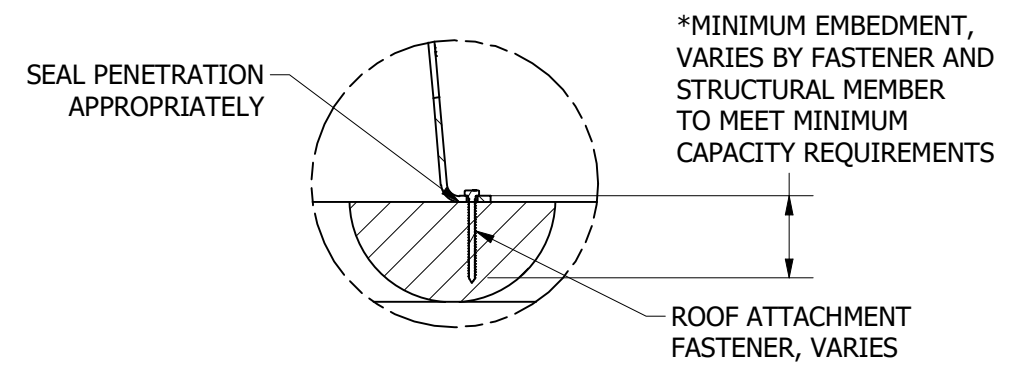
REVISION:			
1	5/7/2019	NEW DETAIL	MJA
B	3/29/2023	DC001948	MKW
B	12/18/2023	DC001948	MJA
C	12/27/2023	DC003433	MJA
D	2/11/2025	DC004852	HDW



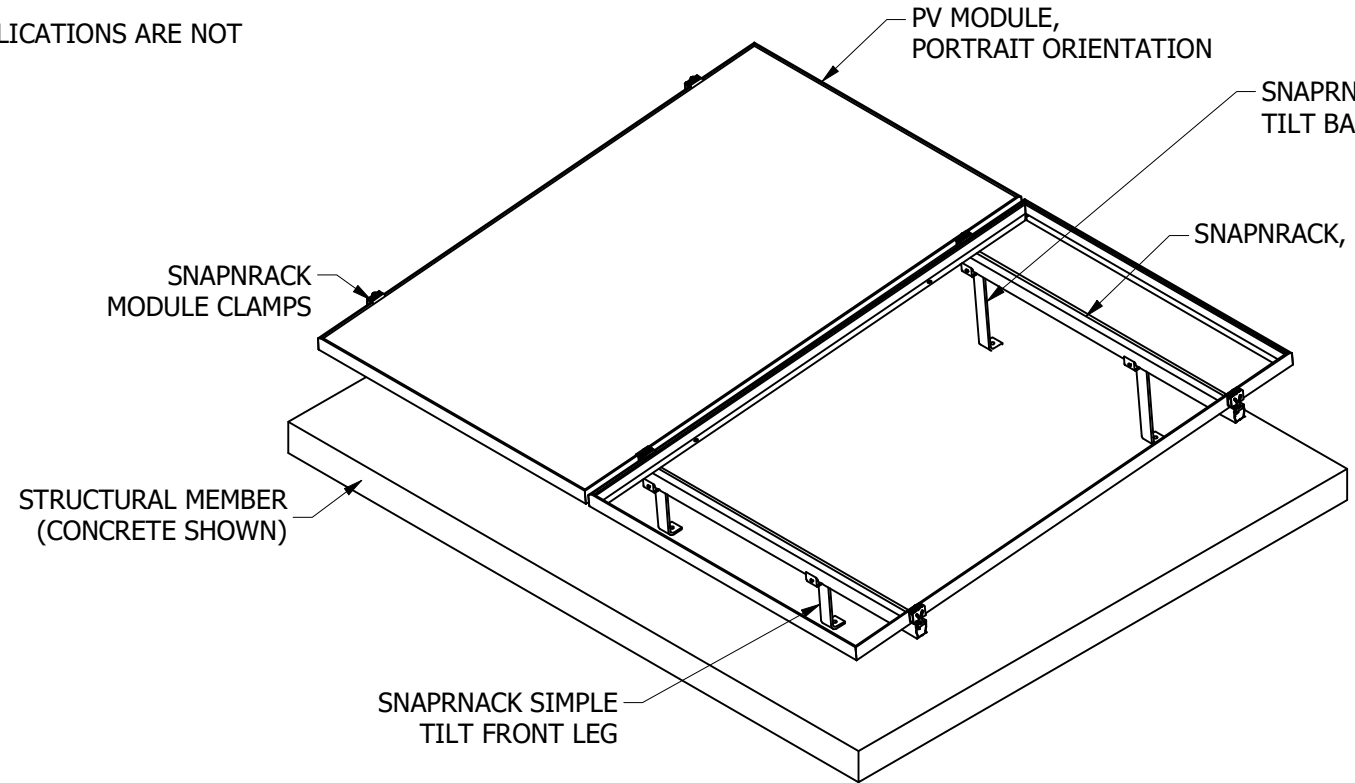
FIXED TILT, LANDSCAPE ORIENTATION



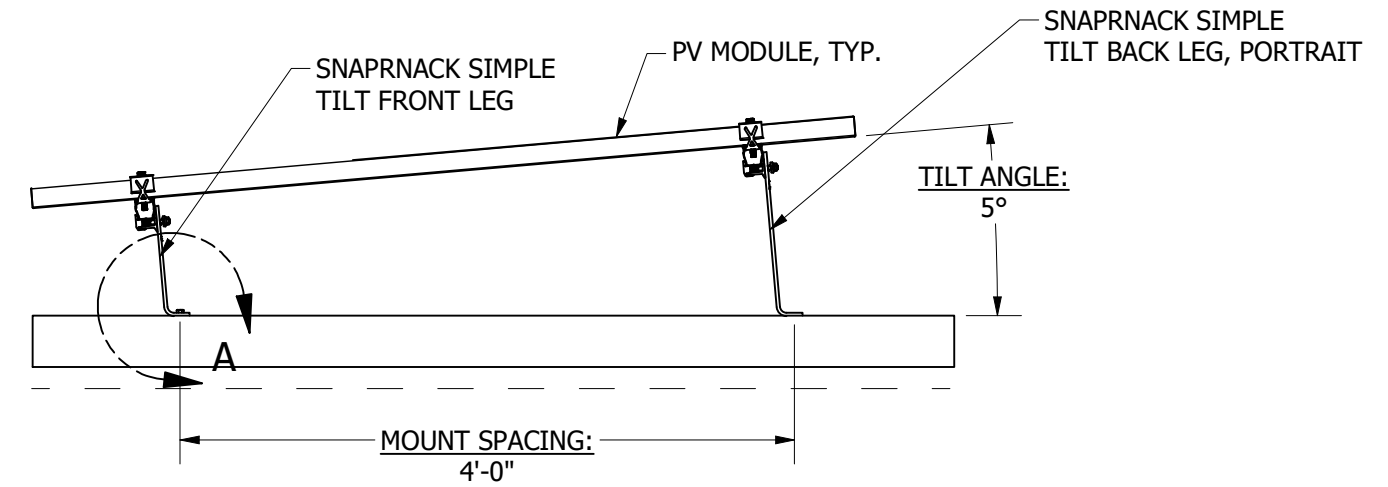
TILT ANGLE LANDSCAPE ORIENTATION



DETAIL A PENETRATION DETAIL



FIXED TILT, PORTRAIT ORIENTATION



TILT ANGLE PORTRAIT ORIENTATION



SNR SOLAR LLC
 775 FIERO LANE, SUITE 200, SAN LUIS OBISPO, CA 93401
 USA EMAIL: CONTACT@SNAPNRACK.COM
 THE INFORMATION IN THIS DRAWING IS CONFIDENTIAL AND PROPRIETARY. ANY REPRODUCTION, DISCLOSURE, OR USE THEREOF IS PROHIBITED WITHOUT THE WRITTEN CONSENT OF SNR SOLAR LLC.

DESIGNER: M.AFFENTRANGER
 DRAFTER: H.WULFEKOETTER
 APPROVED BY: M.AFFENTRANGER

SCALE: DNS
 DATE: 2/11/2025

DRAWING NUMBER:
SNR-DC-00338

DESCRIPTION:
ULTRA RAIL, SYSTEM DETAIL, SIMPLE TILT

REV: **D**