

## General Information

The SnapNrack Universal Conduit Mount, Tile has been evaluated by Underwriters Laboratories and is UL Listed for US and Canada to UL 1565 as a Positioning Device.

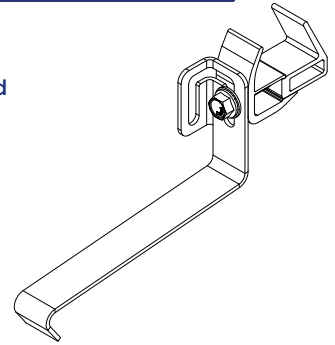
UL File E543241, DWMU/7

Conduit mount type: Aboveground (Roof-Top). Suitable for Wet Locations.

Intended for horizontal mounting.

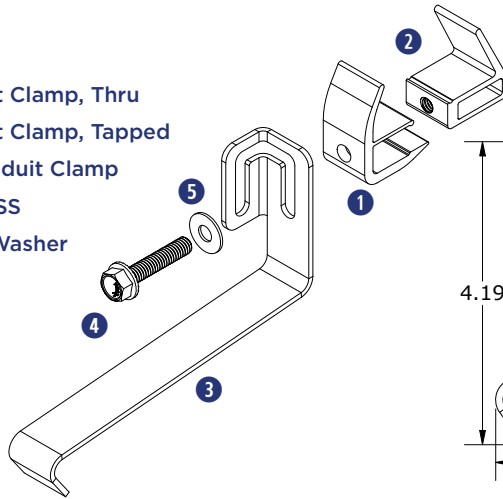
Sizes and types of conduit: 3/4" - 1" Trade Size EMT, 3/4" - 1" Trade Size PVC

Assembly Torque: 60 in.lb (6.78 N.m)

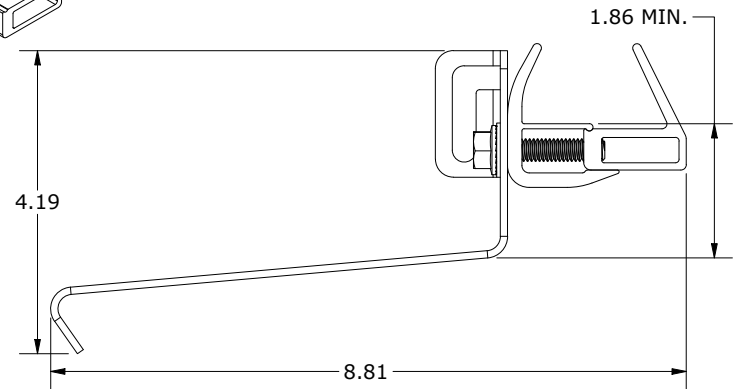


## Materials Included

- 1 SnapNrack Universal Conduit Clamp, Thru
- 2 SnapNrack Universal Conduit Clamp, Tapped
- 3 SnapNrack Tile Hook for Conduit Clamp
- 4 5/16-18 x 1-1/2" Flange Bolt, SS
- 5 5/16" x 3/4" Stainless Steel Washer



## Overall Dimensions (in inches)

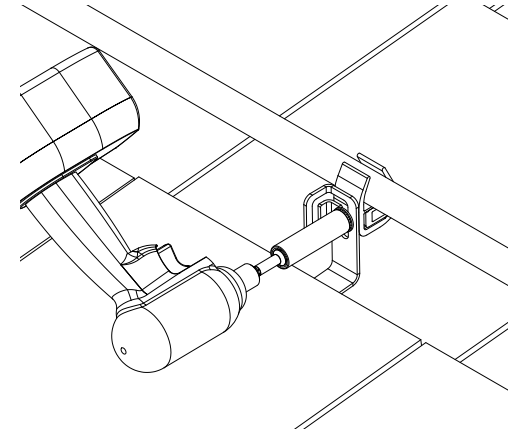
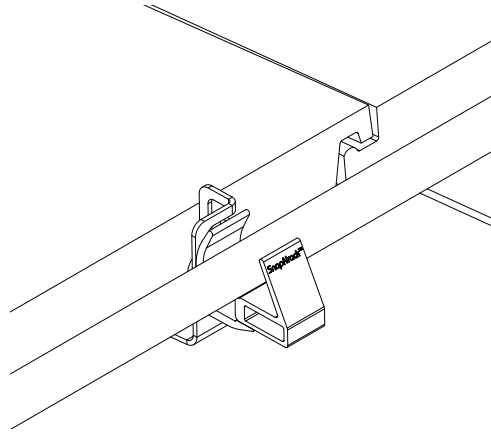
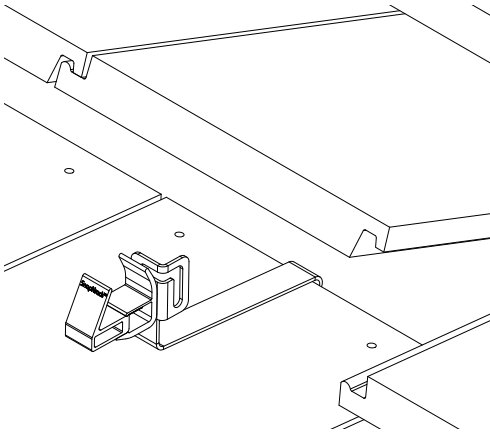


## Required Tools

- Socket Wrench/Impact Driver
- Torque Wrench
- 1/2" Socket

## Installation

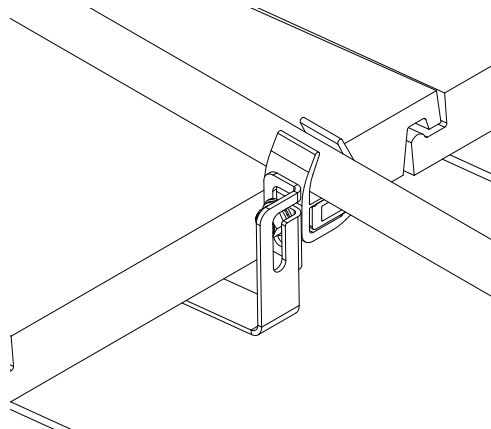
FOR POSITIONING ONLY



1) Lift tile in course above Universal Conduit Mount, Tile location, slide conduit support underneath the lifted tile and hook it over tile below so bent end of hook rests against tile, then lower tile onto the hook. For curved "W" or "S" tile profiles, the Universal Conduit Mount, Tile should be located at the **hightest** point in the tile.

2) Place conduit into the opening of the clamp, adjust conduit to desired position

3) Tighten conduit clamp hardware to torque listed under General Information



4) For conduit running upslope / downslope, position the conduit clamp on the side slot of the arm



### Install Note:

The Conduit Clamp can be moved to the side slot of the arm without disassembly