

General Information

The SnapNrack Universal Conduit Mount, Simple has been evaluated by Underwriters Laboratories and is UL Listed for US and Canada to UL 2239 for above ground, outdoor use.

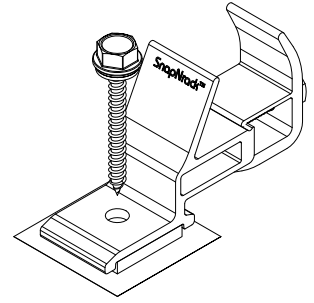
UL File E543241, DWMU/7

Conduit mount type: Aboveground (Roof-Top). Suitable for Wet Locations. Suitable for maximum 10.0 ft (3.05 m) support interval or equivalent. Intended for horizontal mounting.

Sizes and types of conduit: 3/4" - 1" Trade Size EMT, 3/4" - 1" Trade Size PVC

Load Rating: 50 lb (23kg).

Assembly Torque: 60 in.lb (6.78 N.m)



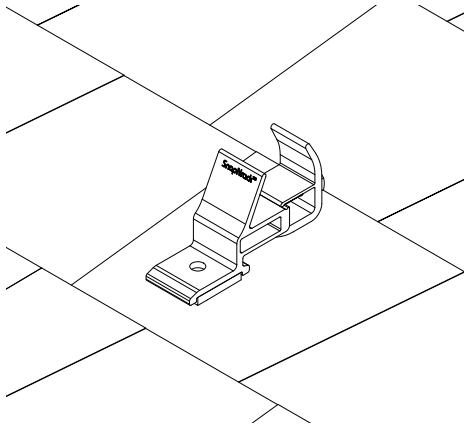
Materials Included

- 1 SnapNrack Universal Conduit Clamp, Thru
- 2 SnapNrack Universal Conduit Clamp, Flanged, Tapped
- 3 5/16-18 x 1-1/2" Flange Bolt, SS
- 4 SnapNrack #14 Wood Screw with 1/2" Hex Head & Sealing Washer
- 5 SnapNrack Butyl, 1-1/4" x 1-1/4", with Protective Liner

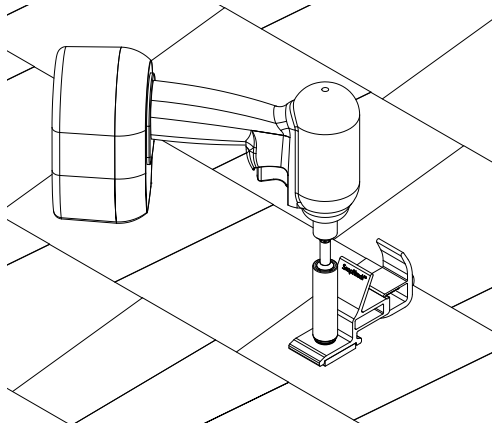
Required Tools

- Socket Wrench/Impact Driver
- Torque Wrench
- 1/2" Socket

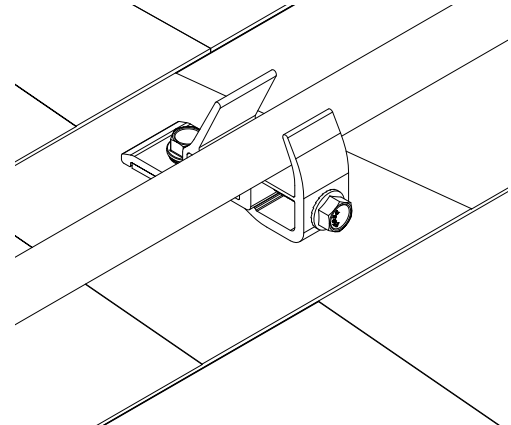
Installation



1) Remove protective liner from the butyl and place the Universal Conduit Mount, Simple at desired location on the roof.

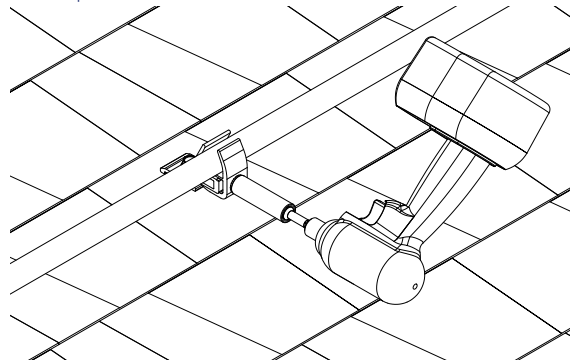


2) With a 1/2" socket or driver, drive the #14 wood screw into the roof decking. Tighten until the sealing washer is compressed.



3) Place conduit into the opening of the conduit clamp, adjust conduit to desired position

Install Note:
The butyl pad must be on a single shingle course



4) With a 1/2" socket or driver, tighten conduit clamp hardware to torque listed under General Information

Overall Dimensions (in inches)

